

Compression force transducer
Models F1811, F1814, F1818, F1821, F1848

EN

Druckkraftaufnehmer
Typen F1811, F1814, F1818, F1821, F1848

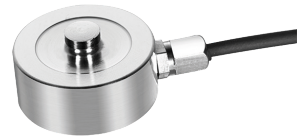
DE



Model F1811



Model F1814



Model F1818



Model F1821



Model F1848

EN	Operating instructions, models F1811, F1814, F1818, F1821, F1848	Page	4 - 26
DE	Betriebsanleitung, Typen F1811, F1814, F1818, F1821, F1848	Seite	27 - 51

© 11/2022 WIKA Alexander Wiegand SE & Co. KG
All rights reserved. / Alle Rechte vorbehalten.
WIKA® is a registered trademark in various countries.
WIKA® ist eine geschützte Marke in verschiedenen Ländern.

Prior to starting any work, read the operating instructions!
Keep for later use!

Vor Beginn aller Arbeiten Betriebsanleitung lesen!
Zum späteren Gebrauch aufbewahren!

Contents

1. General information	4
2. Design and function	5
2.1 Overview	5
2.2 Description	5
2.3 Scope of delivery	5
3. Safety	6
3.1 Explanation of symbols	6
3.2 Intended use	6
3.3 Improper use	7
3.4 Responsibility of the operator	7
3.5 Personal protective equipment	8
3.6 Personnel qualification	8
3.7 Labelling, safety marks	9
4. Transport, packaging and storage	10
4.1 Transport	10
4.2 Packaging and storage	10
5. Commissioning, operation	11
5.1 Precautions before commissioning	11
5.2 Mounting instructions	11
5.3 Installation of the compression force transducer	12
5.4 Electrical connection	12
6. Faults	14
7. Maintenance and cleaning	15
7.1 Maintenance	15
7.2 Cleaning	15
7.3 Recalibration	15
8. Dismounting, return and disposal	15
8.1 Dismounting	16
8.2 Return	16
8.3 Disposal	16
9. Specifications	17
9.1 Approvals	23
10. Accessories	23
10.1 Cable amplifier, model B1940	23
Annex: EU declaration of conformity	24

EN

1. General information

- The compression force transducers described in the operating instructions have been designed and manufactured using state-of-the-art technology. All components are subject to stringent quality and environmental criteria during production. Our management systems are certified to ISO 9001.
- These operating instructions contain important information on handling the instruments. Working safely requires that all safety instructions and work instructions are observed.
- Observe the relevant local accident prevention regulations and general safety regulations for the instruments' range of use.
- The operating instructions are part of the product and must be kept in the immediate vicinity of the instrument and readily accessible to skilled personnel at any time. Pass the operating instructions on to the next user or owner of the instrument.
- Skilled personnel must have carefully read and understood the operating instructions prior to beginning any work.
- The general terms and conditions contained in the sales documentation shall apply.
- Subject to technical modifications.
- Factory calibrations / DAkkS calibrations are carried out in accordance with international standards.

Further information:

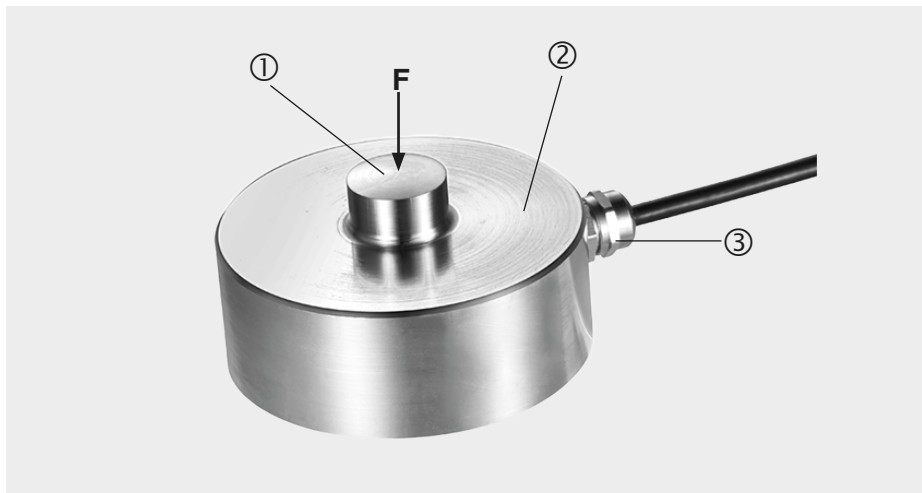
- Internet address: www.wika.com
- Relevant data sheet: FO 51.56 (F1811)
FO 51.57 (F1814)
FO 51.58 (F1818)
FO 51.59 (F1821)
FO 51.76 (F1848)
- Application consultant: Tel.: +49 9372 132-0
info@wika.com

Abbreviations, definitions

2-wire	The two connection leads are used for the voltage supply. The measuring signal also provides the supply current.
3-wire	Two connection leads are used for the voltage supply. One connection lead is used for the measuring signal.
UB (+)	Positive power supply terminal
UB (-)	Negative power supply terminal
S (+)	Positive signal output
S (-)	Negative signal output
Shield	Case
SG	Strain gauge

2. Design and function

2.1 Overview



- ① Force introduction (F) on crowned surface
- ② Measuring spring
- ③ Electrical connection

2.2 Description

The compression force transducer is designed for measuring static and dynamic compression forces. The compression force transducer consists of a measuring spring on which strain gauges are applied. The measuring spring is made of corrosion-resistant stainless steel and is elastically deformed by a tension/compression force introduced in the force direction. The resulting mechanical tensions are measured by the strain gauges and output as an electrical output signal.

The strain gauges are arranged so that two of them are tensioned and the other two are compressed when a force is applied to the transducer.

The transducer circuit includes correction and compensation resistors to eliminate unwanted effects on the zero signal and characteristic value.

2.3 Scope of delivery

- Compression force transducer
- Operating instructions

3. Safety

3.1 Explanation of symbols



WARNING!

... indicates a potentially dangerous situation that can result in serious injury or death, if not avoided.



CAUTION!

... indicates a potentially dangerous situation that can result in light injuries or damage to property or the environment, if not avoided.



Information

... points out useful tips, recommendations and information for efficient and trouble-free operation.

3.2 Intended use

Model	Version	Design
F1811	Standard version, measuring ranges 0 ... 2.5 kN to 0 ... 300 kN [0 ... 562 lbf to 0 ... 67,443 lbf]	
F1814	Miniature design, measuring ranges 0 ... 30 N to 0 ... 1,000 N [0 ... 6.74 lbf to 0 ... 224.8 lbf]	
F1818	Miniature design, measuring ranges 0 ... 50 N to 0 ... 20 kN [0 ... 11.24 lbf to 0 ... 4.5 lbf]	
F1821	Standard version, measuring ranges 0 ... 200 N to 0 ... 100 kN [0 ... 45 lbf to 0 ... 22.48 lbf]	
F1848	Standard version, measuring ranges from 1 t [from 2,205 lbs]	

Force transducer for measuring compression forces, for example in presses. The product is designed for use both outdoors and inside buildings.

Compression force transducers can measure forces in one direction. The measured force is output as an electrical signal. These devices are designed for operation in industrial environment. In other environments, e.g. residential or commercial, they may interfere with other equipment. In this case, the operator may be required to implement appropriate measures.

Only use the compression force transducers in applications that are within the technical performance limits (e.g. max. ambient temperature, material compatibility, etc.). For performance limits, see chapter 9 "Technical data".

The compression force transducers are not approved for use in explosive areas or for safety applications.

The compression force transducers are designed exclusively for the intended use which is described here and may only be used accordingly.

Handle electronic precision measuring instruments with the required care (protect from moisture, impacts, strong magnetic fields, static electricity and extreme temperatures, do not insert any objects into the instrument or its openings). Plugs and sockets must be protected from contamination.

This instrument is intended for connection to an external PELV circuit that meets the requirements of UL/IEC/EN 61010-1 Section 9.4 (limited-energy circuit). The manufacturer shall not be liable for claims of any type based on operation contrary to the intended use. The compression force transducers are designed for indoor and outdoor use, at altitudes of up to 2,500 m [8,202 feet] above sea level. The pollution degree in accordance with UL certification is Degree 4: "Electrical equipment for outdoor use". to the intended use.

3.3 Improper use



WARNING!

Injuries through improper use

Improper use of the instrument can lead to hazardous situations and injuries.

- ▶ Refrain from unauthorised modifications to the instrument.

Any use beyond or different to the intended use is considered as improper use.

3.4 Responsibility of the operator

The instrument is used in the industrial sector. The operator is therefore responsible for legal obligations regarding safety at work.

The safety instructions within these operating instructions, as well as the safety, accident prevention and environmental protection regulations for the application area of the instrument must be maintained.

The operator is obliged to maintain the product label in a legible condition.

To ensure safe working on the instrument, the operating company must ensure

- that suitable first-aid equipment is available and aid is provided whenever required
- that the skilled electrical personnel are regularly instructed in all topics regarding occupational safety, first aid and environmental protection and know the operating instructions and, in particular, the safety instructions contained therein
- that the instrument is suitable for the particular application in accordance with its intended use
- that personal protective equipment is available.

3.5 Personnel qualification



WARNING!

Risk of injury should qualification be insufficient

Improper handling can result in considerable injury and damage to property.

- ▶ The activities described in these operating instructions may only be carried out by skilled personnel who have the qualifications described below.

EN

Skilled electrical personnel

Skilled electrical personnel are understood to be personnel who, based on their technical training, know-how and experience as well as their knowledge of country-specific regulations, current standards and directives, are capable of carrying out work on electrical systems and independently recognising and avoiding potential hazards. The skilled electrical personnel have been specifically trained for the work environment they are working in and know the relevant standards and regulations. The skilled electrical personnel must comply with current legal accident prevention regulations.

3.6 Personal protective equipment

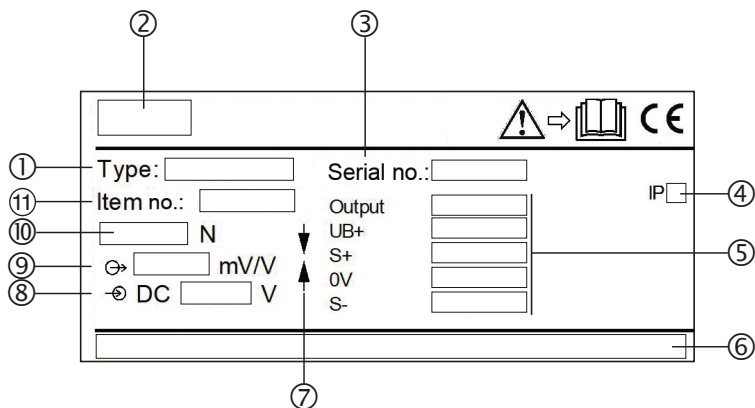
The requirements for the required protective equipment result from the ambient conditions at the place of use, other products or the connection to other products.

The requisite personal protective equipment must be provided by the operating company. The operator is in no way relieved of his obligations under labour law for the safety and the protection of workers' health.

The design of the personal protective equipment must take into account all operating parameters of the place of use.

3.7 Labelling, safety marks

Product label



- ① Model
- ② Manufacturer's logo
- ③ Serial number
- ④ Ingress protection per IEC/EN 60529
- ⑤ Pin assignment
- ⑥ Manufacturer's address
- ⑦ Force direction
- ⑧ Excitation voltage
- ⑨ Output signal
- ⑩ Rated force
- ⑪ Article number



Before mounting and commissioning the instrument, ensure you read the operating instructions!

4. Transport, packaging and storage

4.1 Transport

Check the compression force transducer for any damage that may have been caused by transport. Obvious damage must be reported immediately.

EN



CAUTION!

Damage through improper transport

With improper transport, a high level of damage to property can occur.

- ▶ When unloading packed goods upon delivery as well as during internal transport, proceed carefully and observe the symbols on the packaging.
- ▶ With internal transport, observe the instructions in chapter 4.2 “Packaging and storage”.

As precision measuring instruments, transducers require careful handling during transport and mounting. Load impacts during transport (e.g. hitting a hard surface) can lead to permanent damage, resulting in measured errors in the subsequent measuring operation.

4.2 Packaging and storage

Do not remove packaging until just before mounting.

Keep the packaging as it will provide optimum protection during transport (e.g. change in installation site, sending for repair).

Permissible conditions at the place of storage:

- Storage temperature: -20 ... +80 °C [-4 ... +176 °F]
- Humidity: 35 ... 85 % relative humidity (non-condensing)

Avoid exposure to the following factors:

- Mechanical vibration, mechanical shock (putting it down hard)
- Dust, dirt, and other objects may not be deposited in such a way that they form a force shunt with the measuring spring, since this will falsify the measuring signal.

5. Commissioning, operation

5.1 Precautions before commissioning

- Compression force transducers are sensitive measuring instruments and must be handled with appropriate care.
- With the commissioning of compression force transducers, make sure they are on a level, clean and grease-free contact surface. The flatness shall be 0.02 mm [0.0008 in].
- The contact surface must have a hardness of at least HRC 43, be ground or lapped, have a surface roughness of Rz 4 and must not bend under load.

5.2 Mounting instructions



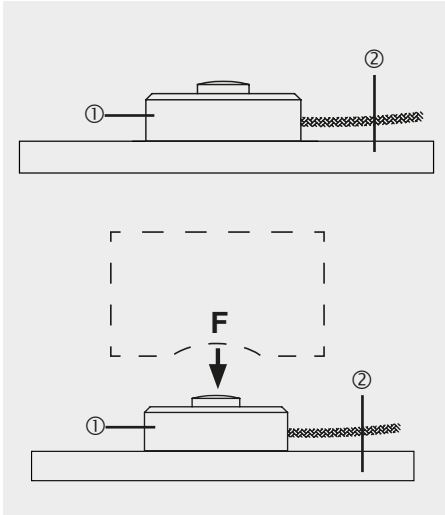
CAUTION!

Damage to the instrument through improper commissioning

Torsional torques, eccentric loading and transverse loading or lateral forces cause measured errors and may permanently damage the compression force transducer. Incorrect loading can lead to permanent damage resulting in a zero point offset in the unloaded state.

- ▶ The force introduction must always be applied centrally to the crowned surface of the compression force transducer.
- ▶ Torsional and transverse forces must be avoided. Transverse loading and lateral forces also include the corresponding components of the measurands that are introduced slanted.
- ▶ During installation of the compression force transducer, the output signal (force value) must always be monitored to avoid mechanical overloading.
- ▶ The compression force transducer should only be loaded with the intended type of load-bearing and in the intended force direction.
- ▶ Overloading must be excluded at all times.
- ▶ The rated temperature range must be observed. Temperature-related measured errors must be excluded.

5.3 Installation of the compression force transducer



- Place the compression force transducer ① with its underside on the contact surface ② of the measuring object.
- Optionally depending on model, the compression force transducer ① can also be fastened to the contact surface ② or screws of the test object with suitable adhesive.
- Load the compression force transducer.

EN

- ① Compression force transducer
- ② Contact surface

5.4 Electrical connection

A shielded, low-capacitance measuring cable is attached to the force transducer.

To prevent interferences from coupling into the system, observe the following information:

- A cable amplifier can be fitted optionally.
- Ground the shield of the measuring cable.
- Avoid stray fields of transformers, motors and contactors.
- When using extensions, only shielded and low-capacitance cables should be used. The permitted maximum and minimum lengths of cable are defined in ISO 11898-2. Care should be taken also to ensure a high-quality connection of the shielding.
- Do not install measuring cables in parallel to 3-phase-current cables and control cables.
- Transducers, amplifiers and processing or display units must not be grounded several times.

The pin assignments of the cable and the cable amplifier (fitted optionally) can be found on the product label.

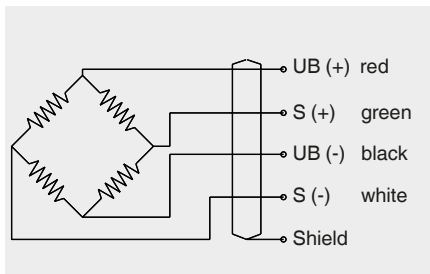
5. Commissioning, operation

Pin assignment

Models F1811, F1814, F1818, F1821

Version: cable output

Electrical connection	
Conductor	Cable colour
UB (+)	Red
UB (-)	Black
S (+)	Green
S (-)	White
Shield ⊕	Shield

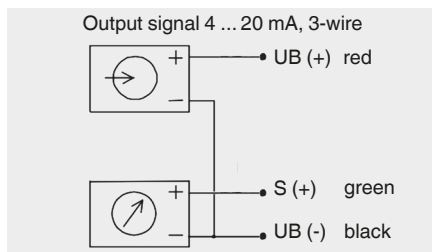


EN

Model F1848

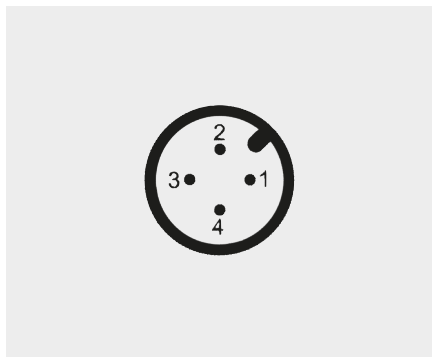
Version: cable output

Electrical connection	
Conductor	Cable Colour
UB (+)	Red
UB (-)	Black
S (+)	Green
Shield ⊕	Yellow-green



Version: analogue output, redundant, opposing

Electrical connection, M12 x 1, 4-pin		
Conductor	4 ... 20 mA / 20 ... 4 mA (redundant)	
	Connector 1	Connector 2
UB (+)	1	1
UB (-)	3	3
S (+): Channel 1	4	-
S (+): Channel 2	-	4
Shield ⊕	Case	Case



6. Faults



CAUTION!
Physical injuries, damage to property

If faults cannot be eliminated by means of the measures listed, the compression force transducer must be taken out of operation immediately.

- ▶ Contact the manufacturer.
- ▶ If a return is needed, please follow the instructions given in chapter 8.2 “Return”.

EN



For contact details, please see chapter 1 “General information” or the back page of the operating instructions.

Faults	Causes	Measures
No output signal	No or wrong supply voltage, current pulse	Correct the supply voltage
	Cable break	Check the continuity
No or wrong output signal	Wrong pin assignment	Check cable assignment
Deviating zero point signal	Overload, load offset, wrong connection	Consult the manufacturer
Constant output signal when changing force	Wrong pin assignment	Check cable assignment
	Mechanical overloading	Consult the manufacturer
Signal span varies	EMC interference sources in the environment, e.g., frequency converter	Shield instrument; cable shielding; remove source of interference
Signal span drops/too small	Mechanical overloading	Consult the manufacturer

Defective instruments must be returned to the manufacturer.

7. Maintenance and cleaning

7.1 Maintenance

This instrument is maintenance-free.

Repairs must only be carried out by the manufacturer.
Only use original parts (see chapter 10 “Accessories”).

EN

7.2 Cleaning

1. Prior to cleaning, disconnect the compression force transducer from the voltage supply and dismount it.
2. Clean the compression force transducer with a cloth.
Electrical connections must not come into contact with moisture!



CAUTION!
Damage to the instrument

Improper cleaning may lead to damage to the instrument!

- ▶ Do not use any aggressive cleaning agents.
- ▶ Do not use any hard or pointed objects for cleaning.

7.3 Recalibration

DAkkS certificate - official certificates:

We recommend that the compression force transducer is regularly recalibrated by the manufacturer, with time intervals of approx. 24 months. The basic settings will be corrected if necessary.



For contact details, please see chapter 1 “General information” or the back page of the operating instructions.

8. Dismounting, return and disposal

8.1 Dismounting

Release the load from the compression force transducer, disconnect from the power and remove from the contact surface.

EN

8.2 Return

Strictly observe the following when shipping the instrument:

All instruments delivered to WIKA must be free from any kind of hazardous substances (acids, bases, solutions, etc.) and must therefore be cleaned before being returned.

When returning the instrument, use the original packaging or a suitable transport packaging.

To avoid damage:

1. Wrap the instrument in an antistatic plastic film.
2. Place the instrument, along with shock-absorbent material, in the packaging.
Place shock-absorbent material evenly on all sides of the transport packaging.
3. If possible, place a bag containing a desiccant inside the packaging.
4. Label the shipment as carriage of a highly sensitive measuring instrument.



Information on returns can be found under the heading “Service” on our local website.

8.3 Disposal

Incorrect disposal can put the environment at risk.

Dispose of instrument components and packaging materials in an environmentally compatible way and in accordance with the country-specific waste disposal regulations.



Do not dispose of with household waste. Ensure a proper disposal in accordance with national regulations.

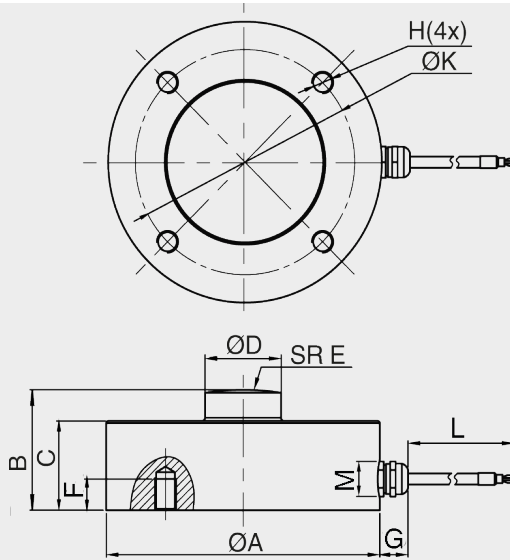
9. Specifications

Model F1811										
Rated force F_{nom} kN	2,5	5	10	20	30	50	100	200	300	
Rated force F_{nom} lbf	552	1,124	2,250	4,500	6,744	11,240	22,500	45,000	67,443	
Relative linearity error d_{lin}	0.1 % F_{nom}									
Relative creep, 30 min. at F_{nom}	0.1 % F_{nom}									
Relative reversibility error v	0.1 % F_{nom}									
Relative span in unchanged mounting situation b_{rg}	0.1 % F_{nom}									
Relative deviation of zero signal $d_{s, 0}$	± 2 % F_{nom}									
Temperature effect on zero signal TK_0	0.05 % $F_{nom}/10$ K									
Temperature effect on characteristic value TK_C	0.05 % $F_{nom}/10$ K									
Force limit F_L	150 % F_{nom}									
Breaking force F_B	200 % F_{nom}									
Material of the measuring body	Stainless steel									
Rated temperature range $B_{T, nom}$	-10 ... +60 °C [-14 ... +140 °F]									
Operating temperature range $B_{T, G}$	-20 ... +80 °C [-4 ... +176 °F]									
Input resistance R_e	750 \pm 10 Ω									
Output resistance R_a	700 \pm 5 Ω									
Insulation resistance R_{is}	$\geq 5,000$ M Ω /DC 100 V									
Output signal (rated characteristic value) C_{nom}	1.5 \pm 0.15 mV/V									
Electrical connection	Cable $\varnothing 5 \times 5,000$ mm [$\varnothing 0.197$ in \times 197 in]									
Voltage supply	DC 10 V (max. 15 V)									
Ingress protection (per IEC/EN 60529)	IP66									
Weight										
2.5 kN ... 100 kN	1.2 kg [2.65 lbs]									
200 kN	1.6 kg [3.53 lbs]									
300 kN	3.2 kg [7.05 lbs]									

9. Specifications

Dimensions in mm [in]

Model F1811



Rated force in kN [lbf]	Dimensions in mm [in]										
	ØA	B	C	ØD	SR E	F	G	ØK	H	L	M
2.5 [552]	82	44	32	22	50	14	13	68	M8	5,000	15.7
5 [1,124]	[3.23]	[1.73]	[1.26]	[0.87]	[1.97]	[0.55]	[0.51]	[2.67]		[197]	[0.62]
10 [2,250]											
20 [4,500]											
30 [6,744]											
50 [11,240]											
100 [22,500]											
200 [45,000]	100	48	36	28	100	14	13	80	M8	5,000	15.7
	[3.94]	[1.89]	[1.41]	[1.10]	[3.94]	[0.55]	[0.51]	[3.15]		[197]	[0.62]
300 [67,443]	126	54	40	35	100	14	13	101	M10	5,000	15.7
	[4.96]	[2.12]	[1.57]	[1.38]	[3.94]	[0.55]	[0.51]	[3.98]		[197]	[0.62]

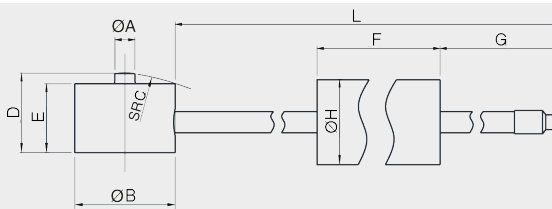
9. Specifications

EN

Model F1814						
Rated force F_{nom} N	50	100	200	300	500	1,000
Rated force F_{nom} lbf	11.24	22.5	45	67.44	112	225
Relative linearity error d_{lin}	1 % F_{nom}					
Relative reversibility error v	0.5 % F_{nom}					
Relative span in unchanged mounting situation b_{rg}	0.5 % F_{nom}					
Limit force F_L	120 % F_{nom}					
Breaking force F_B	150 % F_{nom}					
Material of the measuring body						
30 N	Aluminium					
≥ 50 N	Stainless steel					
Service temperature range $B_{T, G}$	-20 ... +80 °C [-4 ... +176 °F]					
Input resistance R_e	1,030 ±80 Ω					
Output resistance R_a	1,030 ±80 Ω					
Insulation resistance R_{is}	≥ 5,000 MΩ/DC 100 V					
Output signal (rated characteristic value) C_{nom}	1.0 ±0.1 mV/V					
Electrical connection	Cable Ø 2 × 3,000 mm [Ø 0.1 in x 118 in]					
Voltage supply	DC 5 V (max. 7 V)					
Ingress protection (per IEC/EN 60529)	IP64					
Weight	0.1 kg [0.22 lbs]					

Dimensions in mm [in]

Model F1814



Rated force in N [lbf]	Dimensions in mm [in]								
	ØA	ØB	SR C	D	E	F	G	ØH	L
50 [11.24]	1.5	10	5	6	5.2	50	150	8	3,000
100 [22.5]	[0.06]	[0.39]	[0.19]	[0.24]	[0.20]	[1.97]	[5.90]	[0.31]	[118]
200 [45]	2		8						
300 [67.44]	[0.08]		[0.31]						
500 [112]	2.5		10						
1,000 [225]	[0.1]		[0.39]						

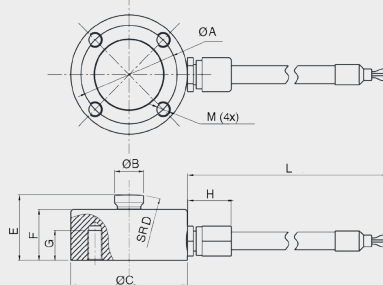
9. Specifications

Model F1818

Rated force F_{nom} kN	0.05	0.1	0.2	0.5	1	2	5
Rated force F_{nom} lbf	11.24	22.5	45	112	225	450	1,124
Relative linearity error d_{lin}	0.5 % F_{nom}						
Relative reversibility error v	0.5 % F_{nom}						
Relative span in unchanged mounting situation b_{rg}	0.1 % F_{nom}						
Relative deviation of zero signal $d_{S, 0}$	± 2 % F_{nom}						
Force limit F_L	150 % F_{nom}						
Breaking force F_B	200 % F_{nom}						
Material of the measuring body	Stainless steel						
Operating temperature range $B_{T, G}$	-20 ... +80 °C [-4 ... +176 °F]						
Input resistance R_e	350 \pm 10 Ω						
Output resistance R_a	350 \pm 5 Ω						
Insulation resistance R_{is}	\geq 5,000 M Ω /DC 100 V						
Output signal (rated characteristic value) C_{nom}	1.5 \pm 0.15 mV/V						
Electrical connection	Cable \varnothing 2 \times 3,000 mm [\varnothing 0.1 in \times 118 in]						
Voltage supply	DC 5 V (max. 10 V)						
Ingress protection (per IEC/EN 60529)	IP65						
Weight	0.1 kg [0.22 lbs]						

Dimensions in mm [in]

Model F1818



SR = spherical radius

Rated force in kN [lbf]	Dimensions in mm [in]									
	ØA	ØB	ØC	SR D	E	F	G	H	L	M
0.05 [11.24] / 0.1 [22.5]	16.5	5	20	20	11	8.5	5	7.5	3.000	M2.5
0.2 [45] / 0.5 [112]	[0.65]	[0.19]	[0.79]	[0.79]	[0.43]	[0.33]	[0.19]	[0.26]	[118]	
1 [225] / 2 [450]										
5 [1,124]										

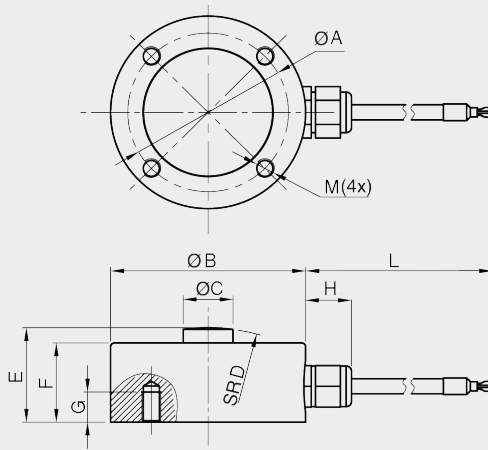
9. Specifications

Model F1821								
Rated force F_{nom} kN	0.2	0.3	0.5	1	1.5	2	3	5
	10	15	20	30	50	60	75	100
Rated force F_{nom} lbf	45	67.44	112	225	337	450	674	1,124
	2,250	3,372	4,500	6,744	11,240	13,500	16,881	22,250
Relative linearity error d_{lin}	0.5 % F_{nom}							
Relative reversibility error v	0.5 % F_{nom}							
Relative span in unchanged mounting situation b_{rg}	0.1 % F_{nom}							
Relative deviation of zero signal $d_{s, 0}$	± 3 % F_{nom}							
Temperature effect on zero signal TK_0	0.05 % $F_{nom}/10$ K							
Temperature effect on characteristic value TK_C	0.05 % $F_{nom}/10$ K							
Force limit F_L	150 % F_{nom}							
Breaking force F_B	200 % F_{nom}							
Material of the measuring body	Stainless steel							
Rated temperature range $B_{T, nom}$	-10 ... +40 °C [-14 ... +104 °F]							
Operating temperature range $B_{T, G}$	-20 ... +80 °C [-4 ... +176 °F]							
Input resistance R_e	385 \pm 10 Ω							
Output resistance R_a	350 \pm 5 Ω							
Insulation resistance R_{is}	\geq 5,000 M Ω /DC 100 V							
Output signal (rated characteristic value) C_{nom}	1.5 \pm 0.15 mV/V							
Electrical connection	Cable \varnothing 4 \times 3,000 mm [\varnothing 0.2 in \times 118 in]							
Voltage supply	DC 5 ... 10 V (max. 15 V)							
Ingress protection (per IEC/EN 60529)	IP66							
Weight	0.4 kg [0.88 lbs]							

EN

Dimensions in mm [in]

Model F1821



SR = spherical radius

Rated force in kN [lbf]	Dimensions in mm [in]									
	ØA	ØB	ØC	SR D	E	F	G	H	L	M
0.2 [45] / 0.3 [67.44]	42	50	13	50	25	21	8	12.5	3.000	M5
0.5 [112] / 1 [225]	[1.65]	[1.97]	[0.51]	[1.97]	[0.98]	[0.83]	[0.32]	[0.49]	[118]	
1.5 [337] / 2 [450]										
3 [674] / 5 [1,124]										
10 [2,250] / 15 [3,372]										
20 [4,500]										
30 [6,744]			16							
50 [11,240]			[0.63]							
60 [13,500]			21							
75 [16,861]			[0.83]							
100 [22,500]										

EN

9. Specifications

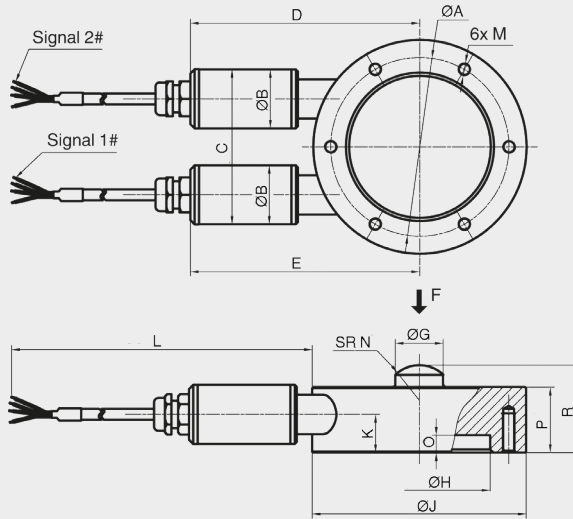
EN

Model F1848	
Rated load F_{nom} t / [lbs]	from 1 / [2,205]
Relative linearity error d_{lin}	$\pm 0.15 \% F_{nom}$
Relative creep, 30 min. at F_{nom}	$\pm 0.1 \% F_{nom}$
Relative reversibility error v	$\pm 0.1 \% F_{nom}$
Relative span in unchanged mounting situation b_{rg}	$\pm 0.05 \% F_{nom}$
Temperature effect on the zero signal TK_0	$\pm 0.1 \% F_{nom}/10 K$
Temperature effect on the characteristic value TK_C	$\pm 0.1 \% F_{nom}/10 K$
Limit force F_L	
for 1 t / [2,205 lbs]	200 % F_{nom}
from 2 t / [4,409 lbs]	150 % F_{nom}
Breaking force F_B	
for 1 t / [2,205 lbs]	250 % F_{nom}
from 2 t / [4,409 lbs]	200 % F_{nom}
Material of the measuring body	Stainless steel
Rated temperature range $B_{T, nom}$	-10 ... +40 °C [-14 ... +104 °F]
Service temperature range $B_{T, G}$	-20 ... +80 °C [-4 ... +176 °F]
Output signal (rated characteristic value) C_{nom}	4 ... 20 mA, 3-wire
	2 x 4 ... 20 mA, redundant
	Redundant, in opposite directions
	4 ... 20 mA / 20 ... 4 mA
Electrical connection	
Standard	Cable output, free wire
	Round connector M12 x 1, 4- or 5-pin
Option	Customer specific connector
Voltage supply	DC 10 ... 30 V
Burden	$\leq (\text{auxiliary power} - 10 V) / 0.024 A$ for current output
Ingress protection (per IEC/EN 60529)	IP67
Weight	1 kg [2.2 lbs]

Dimensions in mm [in]

Model F1848

Version in redundant form, with a simple output signal with just one electronics housing.



SR = spherical radius

Dimensions in mm [in]

ØA	ØB	≤ C	≤ D	≤ E	ØG	ØH	ØJ
82 ±0.1 [Ø3.23 ±0.004]	27 [1.06]	71 [2.79]	105.5 [4.15]	105.5 [4.15]	22 [0.87]	65 [2.56]	98 [3.86]
K	L	M	SR N	O	P	R	
17.5 [0.69]	3,000 ±100 [118 ±3.94]	M6 x 18 (EQS)	16 [0.63]	8 [0.31]	30 [1.18]	40 [1.57]	

9.1 Approvals

Logo	Description	Country
CE	EU declaration of conformity	European Union
	RoHS directive	
EAC	EAC	Eurasian Economic Community
	EMV-Richtlinie	

10. Accessories

WIKA accessories can be found online at www.wika.com
or directly in the online shop at <https://shop.wika.com/en-en/force.WIKA>

10.1 Cable amplifier, model B1940

EN

Analogue cable amplifier to adapt the output signal of strain gauge force transducers to 0/4 ... 20 mA or 0 ... 10 V for indicators or to a downstream controller.

Order number: 83805811



EU-Konformitätserklärung EU Declaration of Conformity

Dokument Nr. 14588983
Document No.

Revision 1
Issue

Wir erklären in alleiniger Verantwortung, dass die mit CE gekennzeichneten Produkte
We declare under our sole responsibility that the CE marked products

Typenbezeichnung
Type Designation F1811, F1814, F1818, F1821, F1848

Beschreibung
Description Druck-Kraftaufnehmer
Compression force transducer

gemäß gültigem Datenblatt
according to the valid data sheet FO51.56, FO51.57, FO51.58, FO51.59; FO51.76

mit den nachfolgenden relevanten Harmonisierungsvorschriften der Union
are in conformity with the following relevant Union harmonisation legislation Angewandte harmonisierte Normen
Applied harmonised standards

2011/65/EU Gefährliche Stoffe (RoHS)
2015/863/EU Hazardous substances (RoHS)

EN IEC 63000:2018

2014/30/EU Elektromagnetische Verträglichkeit (EMV)
Electromagnetic Compatibility (EMC)

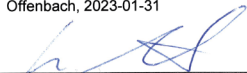
EN 61326-1:2013-07
EN 61326-2-3:2013-07
EN 61326-3-1:2017-07 (only for F1848)
EN 55011:2016 + A1:2017 + A11:2020

Unterszeichnet für und im Namen von / Signed for and on behalf of

Bevollmächtigter / Authorised representative

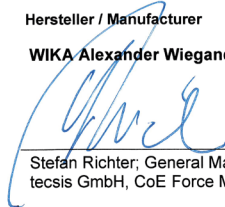
tecsis GmbH

Offenbach, 2023-01-31


Michael Kirsch, QM Manager
tec sis GmbH, CoE Force Management

Hersteller / Manufacturer

WIKAI Alexander Wiegand SE & Co. KG


Stefan Richter, General Management
tec sis GmbH, CoE Force Management

WIKAI Alexander Wiegand SE & Co. KG
Alexander-Wiegand-Straße 30
63911 Klingenberg
Germany
WEEE-Reg.-Nr. DE 92770372
09/2022

Tel. +49 9372 132-0
Fax +49 9372 132-406
E-Mail info@wika.de
www.wika.de

Kommanditgesellschaft: Sitz Klingenberg –
Amtsgericht Aschaffenburg HRA 1819

Komplementärin:
WIKAI International SE - Sitz Klingenberg -
Amtsgericht Aschaffenburg HRB 10505
Vorstand: Alexander Wiegand
Vorsitzender des Aufsichtsrats: Prof. Dr. Roderich C. Thümmel
22AR-04455

79106246.02 11/2022 EN/DE

Inhalt

1. Allgemeines	30
2. Aufbau und Funktion	31
2.1 Übersicht	31
2.2 Beschreibung	31
2.3 Lieferumfang	31
3. Sicherheit	32
3.1 Symbolerklärung	32
3.2 Bestimmungsgemäße Verwendung	32
3.3 Fehlgebrauch	33
3.4 Verantwortung des Betreibers.	33
3.5 Personalqualifikation.	34
3.6 Persönliche Schutzausrüstung	34
3.7 Beschilderung, Sicherheitskennzeichnungen	35
4. Transport, Verpackung und Lagerung	36
4.1 Transport.	36
4.2 Verpackung und Lagerung	36
5. Inbetriebnahme, Betrieb	37
5.1 Vorkehrung vor der Inbetriebnahme.	37
5.2 Montagehinweise	37
5.3 Montage des Druckkraftaufnehmers	38
5.4 Elektrischer Anschluss	38
6. Störungen	40
7. Wartung und Reinigung	41
7.1 Wartung	41
7.2 Reinigung	41
7.3 Rekalibrierung	41
8. Demontage, Rücksendung und Entsorgung	41
8.1 Demontage	42
8.2 Rücksendung	42
8.3 Entsorgung	42
9. Technische Daten	43
9.1 Zulassungen	49
10. Zubehör	49
10.1 Kabelmessverstärker, Typ B1940	49
Anlage: EU-Konformitätserklärung	50

DE

1. Allgemeines

- Die in der Betriebsanleitung beschriebenen Druckkraftaufnehmer werden nach dem aktuellen Stand der Technik konstruiert und gefertigt. Alle Komponenten unterliegen während der Fertigung strengen Qualitäts- und Umweltkriterien. Unsere Managementsysteme sind nach ISO 9001 zertifiziert.
- Diese Betriebsanleitung gibt wichtige Hinweise zum Umgang mit den Geräten. Voraussetzung für sicheres Arbeiten ist die Einhaltung aller angegebenen Sicherheitshinweise und Handlungsanweisungen.
- Die für den Einsatzbereich der Geräte geltenden örtlichen Unfallverhütungsvorschriften und allgemeinen Sicherheitsbestimmungen einhalten.
- Die Betriebsanleitung ist Produktbestandteil und muss in unmittelbarer Nähe des Gerätes für das Fachpersonal jederzeit zugänglich aufbewahrt werden. Betriebsanleitung an nachfolgende Benutzer oder Besitzer des Gerätes weitergeben.
- Das Fachpersonal muss die Betriebsanleitung vor Beginn aller Arbeiten sorgfältig durchgelesen und verstanden haben.
- Es gelten die allgemeinen Geschäftsbedingungen in den Verkaufsunterlagen.
- Technische Änderungen vorbehalten.
- Werkskalibrierungen / DAkKS-Kalibrierungen erfolgen nach internationalen Normen.

Weitere Informationen:

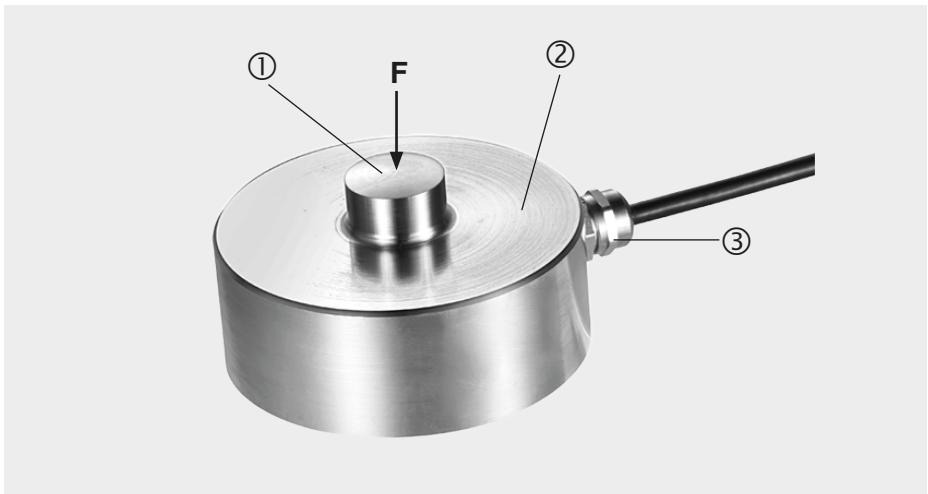
- Internet-Adresse: www.wika.de
- Zugehöriges Datenblatt: FO 51.56 (F1811)
FO 51.57 (F1814)
FO 51.58 (F1818)
FO 51.59 (F1821)
FO 51.76 (F1848)
- Anwendungsberater: Tel.: +49 9372 132-0
info@wika.de

Abkürzungen, Definitionen

2-Leiter	Die zwei Anschlussleitungen dienen zur Spannungsversorgung. Der Speisestrom ist das Messsignal.
3-Leiter	Zwei Anschlussleitungen dienen zur Spannungsversorgung. Eine Anschlussleitung dient für das Messsignal.
UB (+)	Positiver Versorgungsanschluss
UB (-)	Negativer Versorgungsanschluss
S (+)	Positiver Signalausgang
S (-)	Negativer Signalausgang
Schirm	Gehäuse
DMS	Dehnungsmessstreifen

2. Aufbau und Funktion

2.1 Übersicht



- ① Krafteinleitung (F) auf ballige Oberfläche
- ② Messfeder
- ③ Elektrischer Anschluss

2.2 Beschreibung

Der Druckkraftaufnehmer ist für das Messen statischer und dynamischer Druckkräfte vorgesehen. Der Druckkraftaufnehmer besteht aus einer Messfeder, auf der Dehnungsmessstreifen (DMS) aufgebracht sind. Die Messfeder ist aus korrosionsbeständigem CrNi-Stahl gefertigt und wird durch die in Kraftrichtung eingeleitete Druckkraft elastisch verformt. Die entstehenden mechanischen Spannungen werden dabei durch die Dehnungsmessstreifen gemessen und als elektrisches Ausgangssignal ausgegeben.

Die DMS sind so angeordnet, dass zwei von ihnen gedehnt und die zwei anderen gestaucht werden, wenn eine Kraft auf den Aufnehmer einwirkt.

Die Aufnehmerschaltung enthält Korrektur- und Kompensationswiderstände, um unerwünschte Einflüsse auf Nullsignal und Kennwert zu beseitigen.

2.3 Lieferumfang

- Druckkraftaufnehmer
- Betriebsanleitung

3. Sicherheit

3.1 Symbolerklärung



WARNUNG!

... weist auf eine möglicherweise gefährliche Situation hin, die zum Tod oder zu schweren Verletzungen führen kann, wenn sie nicht gemieden wird.



VORSICHT!

... weist auf eine möglicherweise gefährliche Situation hin, die zu geringfügigen oder leichten Verletzungen bzw. Sach- und Umweltschäden führen kann, wenn sie nicht gemieden wird.



Information

... hebt nützliche Tipps und Empfehlungen sowie Informationen für einen effizienten und störungsfreien Betrieb hervor.

3.2 Bestimmungsgemäße Verwendung

Typ	Ausführung	Design
F1811	Standardausführung, Messbereiche 0 ... 2,5 kN bis 0 ... 300 kN [0 ... 562 lbf to 0 ... 67.443 lbf]	
F1814	Miniaturausführung, Messbereiche 0 ... 30 N bis 0 ... 1.000 N [0 ... 6,74 lbf to 0 ... 224,8 lbf]	
F1818	Miniaturausführung, Messbereiche 0 ... 50 N bis 0 ... 20 kN [0 ... 11,24 lbf to 0 ... 4,5 lbf]	
F1821	Standardausführung, Messbereiche 0 ... 200 N bis 0 ... 100 kN [0 ... 45 lbf to 0 ... 22,48 lbf]	
F1848	Standardausführung, Messbereiche ab 1 t [from 2.205 lbs]	

Kraftaufnehmer zur Messung von Druckkräften, z. B. in Pressen. Das Produkt ist sowohl für den Einsatz im Freien als auch in Gebäuden konzipiert.

Druckkraftaufnehmer können Kräfte in einer Richtung messen. Die gemessene Kraft wird als elektrisches Signal ausgegeben. Diese Geräte sind für den Betrieb in industrieller Umgebung ausgelegt. In anderen Umgebungen, die z. B. privat oder gewerblich genutzt werden, können sie andere Geräte stören. In diesem Fall kann vom Betreiber verlangt werden, geeignete Maßnahmen zu ergreifen.

Setzen Sie die Druckkraftaufnehmer nur in Anwendungen ein, die innerhalb der technischen Leistungsgrenzen liegen (z. B. max. Umgebungstemperatur, Materialverträglichkeit etc.). Leistungsgrenzen siehe Kapitel 9 „Technische Daten“.

Die Druckkraftaufnehmer sind nicht für den Einsatz in explosionsgefährdeten Bereichen oder für Sicherheitsanwendungen zugelassen. Die Druckkraftaufnehmer sind

ausschließlich für den hier beschriebenen bestimmungsgemäßen Gebrauch bestimmt und dürfen nur entsprechend verwendet werden.

Behandeln Sie elektronische Präzisionsmessgeräte mit der erforderlichen Sorgfalt (vor Feuchtigkeit, Stößen, starken Magnetfeldern, statischer Elektrizität und extremen Temperaturen schützen, keine Gegenstände in das Gerät oder seine Öffnungen einführen). Stecker und Steckdosen sind vor Verschmutzung zu schützen.

Dieses Instrument ist für den Anschluss an einen externen PELV-Stromkreis vorgesehen, der die Anforderungen von UL/IEC/EN 61010-1 Abschnitt 9.4 (Stromkreis mit begrenzter Energie) erfüllt. Der Hersteller haftet nicht für Ansprüche jedweder Art wegen nicht bestimmungsgemäßer Verwendung. Die Druckkraftaufnehmer sind für den Einsatz im Innen- und Außenbereich bis zu einer Höhe von 2.500 m [8.202 Fuß] über NN ausgelegt. Der Verschmutzungsgrad gemäß UL-Zertifizierung ist Grad 4: „Elektrogeräte für den Außenbereich.“

3.3 Fehlgebrauch



WARNUNG!

Verletzungen durch Fehlgebrauch

Fehlgebrauch des Gerätes kann zu gefährlichen Situationen und Verletzungen führen.

- ▶ Eigenmächtige Umbauten am Gerät unterlassen.

Jede über die bestimmungsgemäße Verwendung hinausgehende oder andersartige Benutzung gilt als Fehlgebrauch.

3.4 Verantwortung des Betreibers

Das Gerät wird im gewerblichen Bereich eingesetzt. Der Betreiber unterliegt daher den gesetzlichen Pflichten zur Arbeitssicherheit.

Die Sicherheitshinweise dieser Betriebsanleitung, sowie die für den Einsatzbereich des Gerätes gültigen Sicherheits-, Unfallverhütungs- und Umweltschutzvorschriften einhalten.

Der Betreiber ist verpflichtet das Typenschild lesbar zu halten.

Für ein sicheres Arbeiten am Gerät muss der Betreiber sicherstellen,

- dass eine entsprechende Erste-Hilfe-Ausrüstung vorhanden ist und bei Bedarf jederzeit Hilfe zur Stelle ist
- dass das Elektrofachpersonal regelmäßig in allen zutreffenden Fragen von Arbeitssicherheit, Erste Hilfe und Umweltschutz unterwiesen wird, sowie die Betriebsanleitung und insbesondere die darin enthaltenen Sicherheitshinweise kennt
- dass das Gerät gemäß der bestimmungsgemäßen Verwendung für den Anwendungsfall geeignet ist
- dass die persönliche Schutzausrüstung verfügbar ist.

3.5 Personalqualifikation



WARNUNG!

Verletzungsgefahr bei unzureichender Qualifikation

Unsachgemäßer Umgang kann zu erheblichen Personen- und Sachschäden führen.

- ▶ Die in dieser Betriebsanleitung beschriebenen Tätigkeiten nur durch Fachpersonal nachfolgend beschriebener Qualifikation durchführen lassen.

Elektrofachpersonal

Das Elektrofachpersonal ist aufgrund seiner fachlichen Ausbildung, Kenntnisse und Erfahrungen sowie Kenntnis der landesspezifischen Vorschriften, geltenden Normen und Richtlinien in der Lage, Arbeiten an elektrischen Anlagen auszuführen und mögliche Gefahren selbstständig zu erkennen und zu vermeiden. Das Elektrofachpersonal ist speziell für das Arbeitsumfeld, in dem es tätig ist, ausgebildet und kennt die relevanten Normen und Bestimmungen. Das Elektrofachpersonal muss die Bestimmungen der geltenden gesetzlichen Vorschriften zur Unfallverhütung erfüllen.

3.6 Persönliche Schutzausrüstung

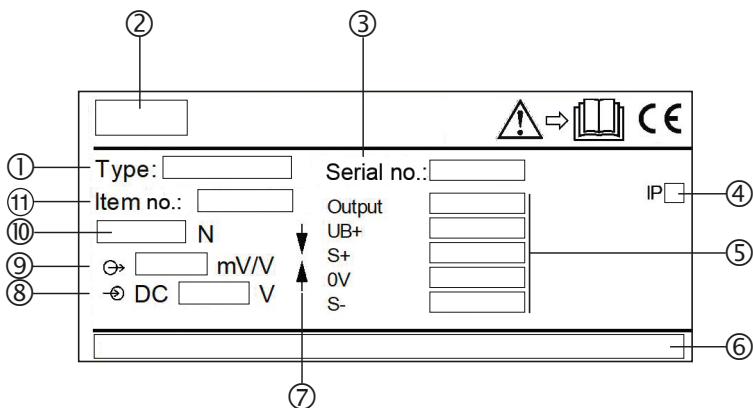
Anforderungen an benötigte Schutzausrüstung ergeben sich aus den Umgebungsbedingungen am Ort der Nutzung, anderen Produkten oder der Verknüpfung mit anderen Produkten.

Die erforderliche persönliche Schutzausrüstung muss vom Betreiber zur Verfügung gestellt werden. Der Betreiber wird durch diese Vorschläge in keiner Weise von seinen arbeitsrechtlichen Pflichten zur Sicherheit und dem Schutz der Gesundheit der Arbeitnehmer entbunden.

Die Bemessung der persönlichen Schutzausrüstung muss unter Berücksichtigung aller Betriebsparameter des Einsatzortes erfolgen.

3.7 Beschilderung, Sicherheitskennzeichnungen

Typenschild



- ① Typ
- ② Herstellerlogo
- ③ Seriennummer
- ④ Schutzart nach IEC/EN 60529
- ⑤ Anschlussbelegung
- ⑥ Herstelleradresse
- ⑦ Krafrichtung
- ⑧ Speisespannung
- ⑨ Ausgangssignal
- ⑩ Nennkraft
- ⑪ Artikelnummer



Vor Montage und Inbetriebnahme des Gerätes unbedingt die Betriebsanleitung lesen!

4. Transport, Verpackung und Lagerung

4.1 Transport

Den Druckkraftaufnehmer auf eventuell vorhandene Transportschäden untersuchen. Offensichtliche Schäden unverzüglich mitteilen.

DE



VORSICHT!

Beschädigungen durch unsachgemäßen Transport

Bei unsachgemäßem Transport können Sachschäden in erheblicher Höhe entstehen.

- ▶ Beim Abladen der Packstücke bei Anlieferung sowie innerbetrieblichem Transport vorsichtig vorgehen und die Symbole auf der Verpackung beachten.
- ▶ Bei innerbetrieblichem Transport die Hinweise unter Kapitel 4.2 „Verpackung und Lagerung“ beachten.

Als Präzisionsmessgeräte verlangen die Aufnehmer beim Transport und der Montage eine sorgfältige Handhabung. Laststöße während des Transports (z. B. Aufschlag auf harten Untergrund) können zu bleibenden Schäden führen, die im späteren Messbetrieb zu Messfehlern führen.

4.2 Verpackung und Lagerung

Verpackung erst unmittelbar vor der Montage entfernen.

Die Verpackung aufbewahren, denn diese bietet bei einem Transport einen optimalen Schutz (z. B. wechselnder Einbauort, Reparatursendung).

Zulässige Bedingungen am Lagerort:

- Lagertemperatur: -20 ... +80 °C [-4 ... +176 °F]
- Feuchtigkeit: 35 ... 85 % relative Feuchte (keine Betauung)

Folgende Einflüsse vermeiden:

- Mechanische Vibration, mechanischer Schock (hartes Aufstellen)
- Staub, Schmutz und sonstige Gegenstände dürfen sich nicht so ablagern, dass sie einen Kraftnebenschluss zur Messfeder bilden, da dadurch das Messsignal verfälscht wird.

5. Inbetriebnahme, Betrieb

5.1 Vorkehrung vor der Inbetriebnahme

- Druckkraftaufnehmer sind empfindliche Messgeräte und entsprechend sorgsam zu behandeln.
- Bei der Inbetriebnahme des Druckkraftaufnehmers muss auf eine ebene, saubere und fettfreie Auflagefläche geachtet werden. Die Ebenheit soll 0,02 mm [0,0008 in] sein.
- Die Auflagefläche muss eine Härte von mindestens 43 HRC aufweisen, geschliffen bzw. geläppt sein, eine Oberflächenrauheit Rz 4 besitzen und darf sich unter Last nicht durchbiegen.

5.2 Montagehinweise



VORSICHT!

Beschädigung des Gerätes durch unsachgemäße Inbetriebnahme

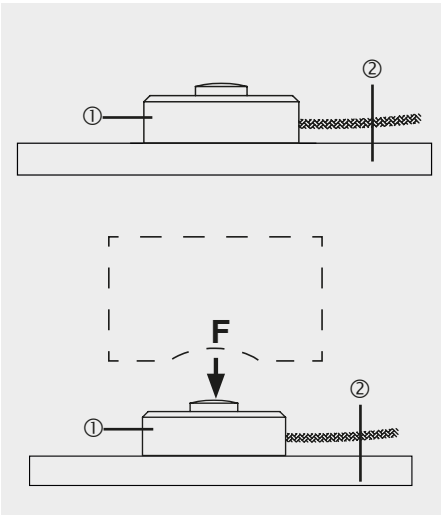
Torsionsmomente, außermittige Belastungen und Querbelastungen bzw. Seitenkräfte verursachen Messfehler und können den Druckkraftaufnehmer bleibend schädigen.

Eine Fehlbelastung kann zu dauerhaftem Schaden führen, der eine Nullpunktabweichung im unbelasteten Zustand zur Folge hat.

- ▶ Die Krafteinleitung muss stets zentrisch auf die ballige Oberfläche des Druckkraftaufnehmers erfolgen.
- ▶ Torsions- und Querkräfte sind zu vermeiden. Zu den Querbelastungen und Seitenkräften gehören auch die entsprechenden Komponenten der eventuell schräg eingeleiteten Messgrößen.
- ▶ Während des Einbaus des Druckkraftaufnehmers ist das Ausgangssignal (Kraftwert) stets zu überwachen, um eine mechanische Überlastung zu vermeiden.
- ▶ Der Druckkraftaufnehmer darf nur in der vorgesehenen Lagerungsart und Krafrichtung belastet werden.
- ▶ Eine Überlastung ist zu jeder Zeit auszuschließen.
- ▶ Der Nenntemperaturbereich ist einzuhalten. Temperaturbedingte Messfehler sind auszuschließen.

5.3 Montage des Druckkraftaufnehmers

DE



- Druckkraftaufnehmer ① mit der Unterseite auf der Auflagefläche ② des Messobjekts positionieren.
- Optional, je nach Typ, kann der Druckkraftaufnehmer ① auf der Auflagefläche ② des Messobjekts mit geeignetem Klebstoff befestigt werden.
- Druckkraftaufnehmer belasten.

- ① Druckkraftaufnehmer
- ② Auflagefläche

5.4 Elektrischer Anschluss

Ein abgeschirmtes, kapazitätsarmes Messkabel ist am Kraftaufnehmer angebaut.

Um Einkopplungen von Störungen zu vermeiden, sind folgende Hinweise zu beachten:

- Ein Kabelmessverstärker kann optional angebaut werden.
- Den Schirm des Messkabels erden.
- Streufelder von Transformatoren sowie Motoren und Schützen vermeiden.
- Beim Verlängern dürfen nur abgeschirmte und kapazitätsarme Kabel verwendet werden. Die erlaubten maximalen und minimalen Längen des Kabels sind in der ISO 11898-2 angegeben. Dabei ist auf eine hochwertige Verbindung auch der Abschirmung zu achten.
- Messkabel nicht parallel zu Starkstrom- und Steuerleitungen legen.
- Aufnehmer, Verstärker und Verarbeitungs- bzw. Anzeigeeinheit dürfen nicht mehrfach geerdet werden.

Die Anschlussbelegungen des Kabels und des Kabelmessverstärkers (optional angebaut) sind dem Typenschild zu entnehmen.

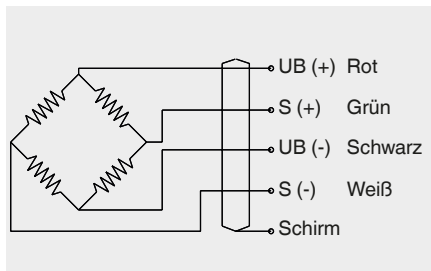
5. Inbetriebnahme, Betrieb / 6. Störungen

Anschlussbelegungen

Typen F1811, F1814, F1818, F1821

Ausführung: Kabelausgang

Elektrischer Anschluss	
Leiter	Kabelfarbe
UB (+)	Rot
UB (-)	Schwarz
S (+)	Grün
S (-)	Weiß
Schirm ⊕	Schirm

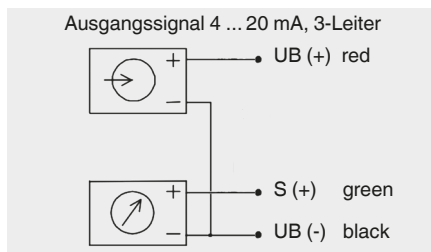


DE

Typ F1848

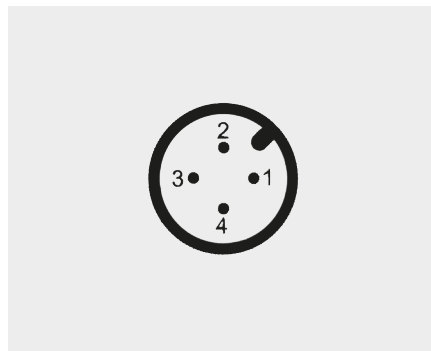
Ausführung: Kabelausgang

Elektrischer Anschluss	
Leiter	Kabelfarbe
UB (+)	Rot
UB (-)	Schwarz
S (+)	Grün
Schirm ⊕	Gelb-grün



Ausführung: Analogausgang, redundant, gegenläufig

Elektrischer Anschluss, M12 x 1, 4-polig		
Leiter	4 ... 20 mA / 20 ... 4 mA (redundant)	
	Stecker 1	Stecker 2
UB (+)	1	1
UB (-)	3	3
S (+): Kanal 1	4	-
S (+): Kanal 2	-	4
Schirm ⊕	Gehäuse	Gehäuse



79106246.02 11/2022 EN/DE

6. Störungen



VORSICHT! Körperverletzungen, Sachschäden

Können Störungen mit Hilfe der aufgeführten Maßnahmen nicht beseitigt werden, den Druckkraftaufnehmer unverzüglich außer Betrieb setzen.

- ▶ Kontakt mit dem Hersteller aufnehmen.
- ▶ Bei notwendiger Rücksendung die Hinweise unter Kapitel 8.2 „Rücksendung“ beachten.



Kontaktdaten siehe Kapitel 1 „Allgemeines“ oder Rückseite der Betriebsanleitung.

Störungen	Ursachen	Maßnahmen
Kein Ausgangssignal	Keine oder falsche Hilfsenergie, Stromstoß	Hilfsenergie korrigieren
	Kabelbruch	Durchgang überprüfen
Kein oder falsches Ausgangssignal	Falsche Pinbelegung	Kabelbelegung prüfen
Abweichendes Nullpunkt-Signal	Überlast, Last-Offset, falscher Anschluss	Rücksprache mit Hersteller
Gleichbleiben des Ausgangssignals bei Kraftänderung	Falsche Pinbelegung	Kabelbelegung prüfen
	Mechanische Überlastung	Rücksprache mit Hersteller
Signalspanne schwankend	EMV-Störquellen in Umgebung, z. B. Frequenzumrichter	Gerät abschirmen; Leitungsabschirmung; Störquelle entfernen
Signalspanne fällt ab/zu klein	Mechanische Überlastung	Rücksprache mit Hersteller

Defekte Geräte sind an den Hersteller zurückzusenden.

7. Wartung und Reinigung

7.1 Wartung

Dieses Gerät ist wartungsfrei.

Reparaturen sind ausschließlich vom Hersteller durchzuführen.

Nur Originalteile verwenden (siehe Kapitel 10 „Zubehör“).

DE

7.2 Reinigung

1. Vor der Reinigung den Druckkraftaufnehmer ordnungsgemäß von der Spannungsversorgung trennen und ausbauen.
2. Den Druckkraftaufnehmer mit einem Tuch reinigen.
Elektrische Anschlüsse nicht mit Feuchtigkeit in Berührung bringen!



VORSICHT! **Beschädigung des Gerätes**

Eine unsachgemäße Reinigung führt zur Beschädigung des Gerätes!

- ▶ Keine aggressiven Reinigungsmittel verwenden.
- ▶ Keine harten und spitzen Gegenstände zur Reinigung verwenden.

7.3 Rekalibrierung

DAkkS-Schein - amtliche Bescheinigungen:

Es wird empfohlen, den Druckkraftaufnehmer in regelmäßigen Zeitabständen von ca. 24 Monaten durch den Hersteller rekalibrieren zu lassen. Die Grundeinstellungen werden, wenn notwendig, korrigiert.



Kontaktdaten siehe Kapitel 1 „Allgemeines“ oder Rückseite der Betriebsanleitung.

8. Demontage, Rücksendung und Entsorgung

8.1 Demontage

Den Druckkraftaufnehmer entlasten, vom Strom trennen und von der Auflagefläche entfernen.

DE

8.2 Rücksendung

Beim Versand des Gerätes unbedingt beachten:

Alle an WIKA gelieferten Geräte müssen frei von Gefahrstoffen (Säuren, Laugen, Lösungen, etc.) sein und sind daher vor der Rücksendung zu reinigen.

Zur Rücksendung des Gerätes die Originalverpackung oder eine geeignete Transportverpackung verwenden.

Um Schäden zu vermeiden:

1. Das Gerät in eine antistatische Plastikfolie einhüllen.
2. Das Gerät mit dem Dämmmaterial in der Verpackung platzieren.
Zu allen Seiten der Transportverpackung gleichmäßig dämmen.
3. Wenn möglich einen Beutel mit Trocknungsmittel der Verpackung beifügen.
4. Sendung als Transport eines hochempfindlichen Messgerätes kennzeichnen.



Hinweise zur Rücksendung befinden sich in der Rubrik „Service“ auf unserer lokalen Internetseite.

8.3 Entsorgung

Durch falsche Entsorgung können Gefahren für die Umwelt entstehen. Gerätekomponenten und Verpackungsmaterialien entsprechend den landesspezifischen Abfallbehandlungs- und Entsorgungsvorschriften umweltgerecht entsorgen.



Nicht mit dem Hausmüll entsorgen. Für eine geordnete Entsorgung gemäß nationaler Vorgaben sorgen.

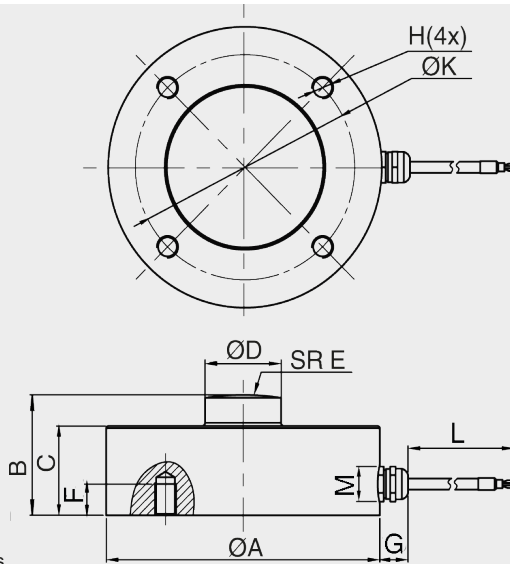
9. Technische Daten

Typ F1811										
Nennkraft F_{nom} kN	2,5	5	10	20	30	50	100	200	300	
Nennkraft F_{nom} lbf	552	1.124	2.250	4.500	6.744	11.240	22.500	45.000	67.443	
Relative Linearitätsabweichung d_{lin}	0,1 % F_{nom}									
Relatives Kriechen, 30 min. bei F_{nom}	0,1 % F_{nom}									
Relative Umkehrspanne v	0,1 % F_{nom}									
Relative Spannweite in unveränderter Einbaustellung b_{rg}	0,1 % F_{nom}									
Relative Abweichung des Nullsignals $d_{S, 0}$	± 2 % F_{nom}									
Temperatureinfluss auf das Nullsignal TK_0	0,05 % $F_{nom}/10$ K									
Temperatureinfluss auf den Kennwert TK_C	0,05 % $F_{nom}/10$ K									
Grenzkraft F_L	150 % F_{nom}									
Bruchkraft F_B	200 % F_{nom}									
Werkstoff des Messkörpers	CrNi-Stahl									
Nenntemperaturbereich $B_{T, nom}$	-10 ... +60 °C [-14 ... +140 °F]									
Gebrauchstemperaturbereich $B_{T, G}$	-20 ... +80 °C [-4 ... +176 °F]									
Eingangswiderstand R_e	750 \pm 10 Ω									
Ausgangswiderstand R_a	700 \pm 5 Ω									
Isolationswiderstand R_{is}	\geq 5.000 M Ω /DC 100 V									
Ausgangssignal (Nennkennwert) C_{nom}	1,5 \pm 0,15 mV/V									
Elektrischer Anschluss	Kabel \varnothing 5 \times 5.000 mm [\varnothing 0,197 in \times 197 in]									
Spannungsversorgung	DC 10 V (max. 15 V)									
Schutzart (nach IEC/EN 60529)	IP66									
Gewicht										
2,5 kN ... 100 kN	1,2 kg [2,65 lbs]									
200 kN	1,6 kg [3,53 lbs]									
300 kN	3,2 kg [7,05 lbs]									

9. Technische Daten

Abmessungen in mm [in]

Typ F1811



Nennkraft in kN [lbf]	Abmessungen in mm [in]										
	ØA	B	C	ØD	SR E	F	G	ØK	H	L	M
2,5 [552]	82	44	32	22	50	14	13	68	M8	5.000	15,7
5 [1.124]	[3,23]	[1,73]	[1,26]	[0,87]	[1,97]	[0,55]	[0,51]	[2,67]		[197]	[0,62]
10 [2.250]											
20 [4.500]											
30 [6.744]											
50 [11.240]											
100 [22.500]											
200 [45.000]	100	48	36	28	100	14	13	80	M8	5.000	15,7
	[3,94]	[1,89]	[1,41]	[1,10]	[3,94]	[0,55]	[0,51]	[3,15]		[197]	[0,62]
300 [67.443]	126	54	40	35	100	14	13	101	M10	5.000	15,7
	[4,96]	[2,12]	[1,57]	[1,38]	[3,94]	[0,55]	[0,51]	[3,98]		[197]	[0,62]

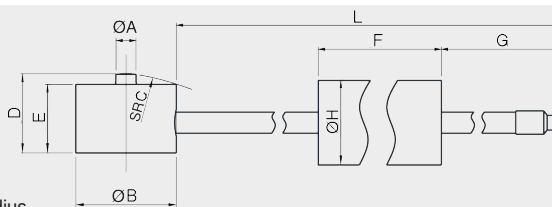
9. Technische Daten

DE

Typ F1814						
Nennkraft F_{nom} N	50	100	200	300	500	1.000
Nennkraft F_{nom} lbf	11,24	22,5	45	67,44	112	225
Relative Linearitätsabweichung d_{lin}	1 % F_{nom}					
Relative Umkehrspanne v	0,5 % F_{nom}					
Relative Spannweite in unveränderter Einbaustellung b_{rg}	0,5 % F_{nom}					
Grenzkraft F_L	120 % F_{nom}					
Bruchkraft F_B	150 % F_{nom}					
Werkstoff des Messkörpers						
30 N	Aluminium					
≥ 50 N	CrNi-Stahl					
Gebrauchstemperaturbereich $B_{T, G}$	-20 ... +80 °C [-4 ... +176 °F]					
Eingangswiderstand R_e	1.030 ±80 Ω					
Ausgangswiderstand R_a	1.030 ±80 Ω					
Isolationswiderstand R_{is}	≥ 5.000 MΩ/DC 100 V					
Ausgangssignal (Nennkennwert) C_{nom}	1,0 ±0,1 mV/V					
Elektrischer Anschluss	Kabel Ø 2 × 3.000 mm [Ø 0,1 in x 118 in]					
Spannungsversorgung	DC 5 V (max. 7 V)					
Schutzart (nach IEC/EN 60529)	IP64					
Gewicht	0,1 kg [0,22 lbs]					

Abmessungen in mm [in]

Typ F1814



Nennkraft in N [lbf]	Abmessungen in mm [in]								
	ØA	ØB	SR C	D	E	F	G	ØH	L
50 [11,24]	1,5	10	5	6	5,2	50	150	8	3.000
100 [22,5]	[0,06]	[0,39]	[0,19]	[0,24]	[0,20]	[1,97]	[5,90]	[0,31]	[118]
200 [45]	2		8						
300 [67,44]	[0,08]		[0,31]						
500 [112]	2,5		10						
1.000 [225]	[0,1]		[0,39]						

79106246.02 11/2022 EN/DE

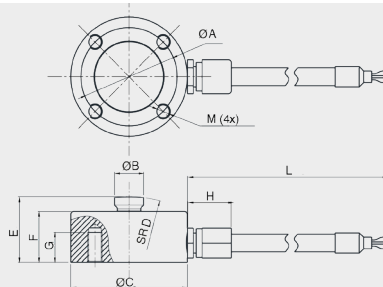
9. Technische Daten

Typ F1818

Nennkraft F_{nom} kN	0,05	0,1	0,2	0,5	1	2	5
Nennkraft F_{nom} lbf	11,24	22,5	45	112	225	450	1.124
Relative Linearitätsabweichung d_{lin}	0,5 % F_{nom}						
Relative Umkehrspanne v	0,5 % F_{nom}						
Relative Spannweite in unveränderter Einbaustellung b_{rg}	0,1 % F_{nom}						
Relative Abweichung des Nullsignals $d_{S, 0}$	± 2 % F_{nom}						
Grenzkraft F_L	150 % F_{nom}						
Bruchkraft F_B	200 % F_{nom}						
Werkstoff des Messkörpers	CrNi-Stahl						
Gebrauchstemperaturbereich $B_{T, G}$	-20 ... +80 °C [-4 ... +176 °F]						
Eingangswiderstand R_e	350 \pm 10 Ω						
Ausgangswiderstand R_a	350 \pm 5 Ω						
Isolationswiderstand R_{is}	\geq 5.000 M Ω /DC 100 V						
Ausgangssignal (Nennkennwert) C_{nom}	1,5 \pm 0,15 mV/V						
Elektrischer Anschluss	Kabel \varnothing 2 \times 3.000 mm [\varnothing 0,1 in \times 118 in]						
Spannungsversorgung	DC 5 V (max. 10 V)						
Schutzart (nach IEC/EN 60529)	IP65						
Gewicht	0,1 kg [0,22 lbs]						

Abmessungen in mm [in]

Typ F1818



SR = sphärischer Radius

Nennkraft in kN [lbf]	Abmessungen in mm [in]									
	ØA	ØB	ØC	SR D	E	F	G	H	L	M
0,05 [11,24] / 0,1 [22,5]	16,5	5	20	20	11	8,5	5	7,5	3.000	M2,5
0,2 [45] / 0,5 [112]	[0,65]	[0,19]	[0,79]	[0,79]	[0,43]	[0,33]	[0,19]	[0,26]	[118]	
1 [225] / 2 [450]										
5 [1.124]										

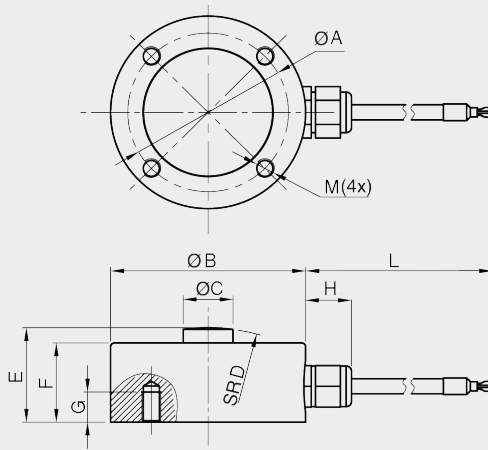
9. Technische Daten

DE

Typ F1821								
Nennkraft F_{nom} kN	0,2	0,3	0,5	1	1,5	2	3	5
	10	15	20	30	50	60	75	100
Nennkraft F_{nom} lbf	45	67,44	112	225	337	450	674	1.124
	2.250	3.372	4.500	6.744	11.240	13.500	16.881	22.250
Relative Linearitätsabweichung d_{lin}	0,5 % F_{nom}							
Relative Umkehrspanne v	0,5 % F_{nom}							
Relative Spannweite in unveränderter Einbaustellung b_{rg}	0,1 % F_{nom}							
Relative Abweichung des Nullsignals $d_{\text{S}, 0}$	± 3 % F_{nom}							
Temperatureinfluss auf das Nullsignal TK_0	0,05 % $F_{\text{nom}}/10$ K							
Temperatureinfluss auf den Kennwert TK_C	0,05 % $F_{\text{nom}}/10$ K							
Grenzkraft F_L	150 % F_{nom}							
Bruchkraft F_B	200 % F_{nom}							
Werkstoff des Messkörpers	CrNi-Stahl							
Nenntemperaturbereich $B_{T, \text{nom}}$	-10 ... +40 °C [-14 ... +104 °F]							
Gebrauchstemperaturbereich $B_{T, G}$	-20 ... +80 °C [-4 ... +176 °F]							
Eingangswiderstand R_e	385 \pm 10 Ω							
Ausgangswiderstand R_a	350 \pm 5 Ω							
Isolationswiderstand R_{is}	≥ 5.000 M Ω /DC 100 V							
Ausgangssignal (Nennkennwert) C_{nom}	1,5 \pm 0,15 mV/V							
Elektrischer Anschluss	Kabel $\varnothing 4 \times 3.000$ mm [$\varnothing 0,2$ in \times 118 in]							
Spannungsversorgung	DC 5 ... 10 V (max. 15 V)							
Schutzart (nach IEC/EN 60529)	IP66							
Gewicht	0,4 kg [0,88 lbs]							

Abmessungen in mm [in]

Typ F1821



SR = sphärischer Radius

Nennkraft in kN [lbf]	Abmessungen in mm [in]									
	ØA	ØB	ØC	SR D	E	F	G	H	L	M
0,2 [45] / 0,3 [67,44]	42	50	13	50	25	21	8	12,5	3.000	M5
0,5 [112] / 1 [225]	[1,65]	[1,97]	[0,51]	[1,97]	[0,98]	[0,83]	[0,32]	[0,49]	[118]	
1,5 [337] / 2 [450]										
3 [674] / 5 [1.124]										
10 [2.250] / 15 [3.372]										
20 [4.500]										
30 [6.744]			16							
50 [11.240]			[0,63]							
60 [13.500]			21							
75 [16.861]			[0,83]							
100 [22.500]										

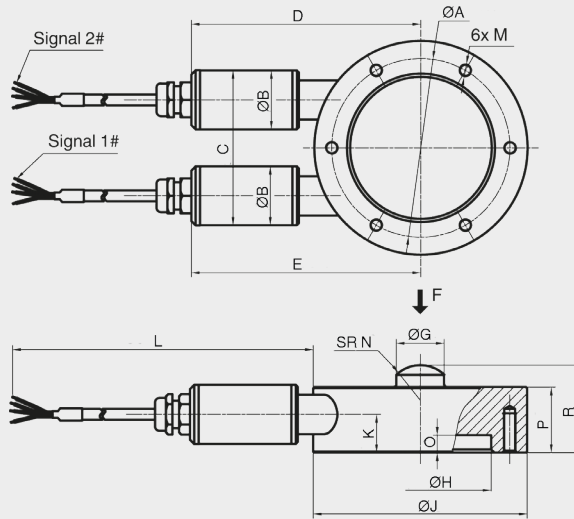
Typ F1848

Nennlast F_{nom} t / [lbs]	ab 1 / [2.205 lbs]
Relative Linearitätsabweichung d_{lin}	$\pm 0,15 \% F_{nom}$
Relatives Kriechen, 30 min. bei F_{nom}	$\pm 0,1 \% F_{nom}$
Relative Umkehrspanne v	$\pm 0,1 \% F_{nom}$
Relative Spannweite in unveränderter Einbaustellung b_{rg}	$\pm 0,05 \% F_{nom}$
Temperatureinfluss auf das Nullsignal TK_0	$\pm 0,1 \% F_{nom}/10 K$
Temperatureinfluss auf den Kennwert TK_C	$\pm 0,1 \% F_{nom}/10 K$
Grenzkraft F_L	
für 1 t / [2.205 lbs]	200 % F_{nom}
ab 2 t / [4.409 lbs]	150 % F_{nom}
Bruchkraft F_B	
für 1 t / [2.205 lbs]	250 % F_{nom}
ab 2 t / [4.409 lbs]	200 % F_{nom}
Werkstoff des Messkörpers	CrNi-Stahl
Nenntemperaturbereich $B_{T, nom}$	-10 ... +40 °C [-14 ... +104 °F]
Gebrauchstemperaturbereich $B_{T, G}$	-20 ... +80 °C [-4 ... +176 °F]
Ausgangssignal (Nennkennwert) C_{nom}	4 ... 20 mA, 3-Leiter 2 x 4 ... 20 mA redundant Redundant, gegenläufig 4 ... 20 mA / 20 ... 4 mA
Elektrischer Anschluss	
Standard	Kabelausgang Rundstecker M12x1, 4- oder 5-polig
Option	Kundenspezifischer Stecker
Spannungsversorgung	DC 10 ... 30 V
Bürde	\leq (Hilfsenergie – 10 V) / 0,024 A für Stromausgang
Schutzart (nach IEC/EN 60529)	IP67
Gewicht	1 kg [2,2 lbs]

Abmessungen in mm [in]

Typ F1848

Darstellung in redundanter Form mit einfachem Ausgangssignal mit nur einem Elektronikgehäuse.



SR = sphärischer Radius

Abmessungen in mm [in]

ØA	ØB	≤ C	≤ D	≤ E	ØG	ØH	ØJ
82 ±0,1 [Ø3,23 ±0,004]	27 [1,06]	71 [2,79]	105,5 [4,15]	105,5 [4,15]	22 [0,87]	65 [2,56]	98 [3,86]
K	L	M	SR N	O	P	R	
17,5 [0,69]	3.000 ±100 [118 ±3,94]	M6 x 18 (EQS)	16 [0,63]	8 [0,31]	30 [1,18]	40 [1,57]	

9.1 Zulassungen

Logo	Beschreibung	Land
CE	EU-Konformitätserklärung	Europäische Union
	RoHS-Richtlinie	
EAC	EAC	Eurasische Wirtschaftsgemeinschaft
	EMV-Richtlinie	

10. Zubehör

WIKA-Zubehör finden Sie online unter www.wika.de
oder direkt im Webshop unter <https://shop.wika.com/de-de/kraft.WIKA>

DE

10.1 Kabelmessverstärker, Typ B1940

Analoger Kabelmessverstärker zur Anpassung des Ausgangssignals des DMS-Kraftaufnehmers auf 0/4 ... 20 mA oder 0 ... 10 V für Informatoren oder an die nachgeschaltete Steuerung.

Bestellnummer: 83805811



EU-Konformitätserklärung EU Declaration of Conformity

Dokument Nr. 14588983
Document No.

Revision 1
Issue

Wir erklären in alleiniger Verantwortung, dass die mit CE gekennzeichneten Produkte
We declare under our sole responsibility that the CE marked products

Typenbezeichnung
Type Designation **F1811, F1814, F1818, F1821, F1848**

Beschreibung
Description **Druck-Kraftaufnehmer**
Compression force transducer

gemäß gültigem Datenblatt
according to the valid data sheet FO51.56, FO51.57, FO51.58, FO51.59; FO51.76

mit den nachfolgenden relevanten Harmonisierungsvorschriften der Union
are in conformity with the following relevant Union harmonisation legislation Angewandte harmonisierte Normen
Applied harmonised standards

2011/65/EU Gefährliche Stoffe (RoHS)
2015/863/EU *Hazardous substances (RoHS)*

EN IEC 63000:2018

2014/30/EU Elektromagnetische Verträglichkeit (EMV)
Electromagnetic Compatibility (EMC)

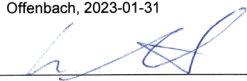
EN 61326-1:2013-07
EN 61326-2-3:2013-07
EN 61326-3-1:2017-07 (only for F1848)
EN 55011:2016 + A1:2017 + A11:2020

Unterszeichnet für und im Namen von / *Signed for and on behalf of*

Bevollmächtigter / Authorised representative

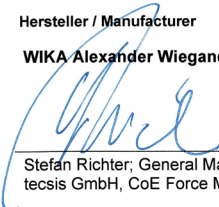
tectsis GmbH

Offenbach, 2023-01-31


Michael Kirsch, QM Manager
tectsis GmbH, CoE Force Management

Hersteller / Manufacturer

WIKAL Alexander Wiegand SE & Co. KG


Stefan Richter, General Management
tectsis GmbH, CoE Force Management

WIKAL Alexander Wiegand SE & Co. KG
Alexander-Wiegand-Straße 30
63911 Klingenberg
Germany
WEEE-Reg.-Nr. DE 92770372
09/2022

Tel. +49 9372 132-0
Fax +49 9372 132-405
E-Mail info@wika.de
www.wika.de

Kommanditgesellschaft: Sitz Klingenberg –
Amtsgericht Aschaffenburg HRA 1819

Komplementärin:
WIKAL International SE - Sitz Klingenberg -
Amtsgericht Aschaffenburg HRB 10505
Vorstand: Alexander Wiegand
Vorsitzender des Aufsichtsrats: Prof. Dr. Roderich C. Thümmel

22AR-04455

79106246.02 11/2022 EN/DE



WIKA-Niederlassungen weltweit finden Sie online unter www.wika.de.
WIKA subsidiaries worldwide can be found online at www.wika.com.



Importer for UK
WIKA Instruments Ltd
Unit 6 and 7 Goya Business park
The Moor Road
Sevenoaks
Kent
TN14 5GY



WIKA Alexander Wiegand SE & Co. KG
Alexander-Wiegand-Straße 30
63911 Klingenberg • Germany
Tel. +49 9372 132-0
info@wika.de
www.wika.de