

Indicator for panel mounting, model 910.70

EN

Anzeige für Schalttafeleinbau, model 910.70

DE

Afficheur pour montage panneau, type 910.70

FR

Indicador para montaje en panel, modelo 910.70

ES

CE



Indicator for panel mounting, model 910.70

WIKAL

Part of your business

EN **Operating instructions for model 910.70** **Page** **3 - 17**

DE **Betriebsanleitung für Typ 910.70** **Seite** **19 - 33**

FR **Mode d'emploi pour type 910.70** **Page** **35 - 49**

ES **Manual de instrucciones para modelo 910.70** **Pagina** **51 - 65**

© 05/2018 WIKA Alexander Wiegand SE & Co. KG
All rights reserved. / Alle Rechte vorbehalten.
WIKA® is a registered trademark in various countries.
WIKA® ist eine geschützte Marke in verschiedenen Ländern.

Prior to starting any work, read the operating instructions!
Keep for later use!

Vor Beginn aller Arbeiten Betriebsanleitung lesen!
Zum späteren Gebrauch aufbewahren!

Lire le mode d'emploi avant de commencer toute opération !
A conserver pour une utilisation ultérieure !

¡Leer el manual de instrucciones antes de comenzar cualquier trabajo!
¡Guardar el manual para una eventual consulta!

Contents

1. General information	4
2. Design and function	5
3. Safety	6
4. Transport, packaging and storage	9
5. Commissioning, operation	10
6. Faults	12
7. Maintenance and cleaning	14
8. Dismounting, return and disposal	15
9. Specifications	16

Declarations of conformity can be found online at www.wika.com.

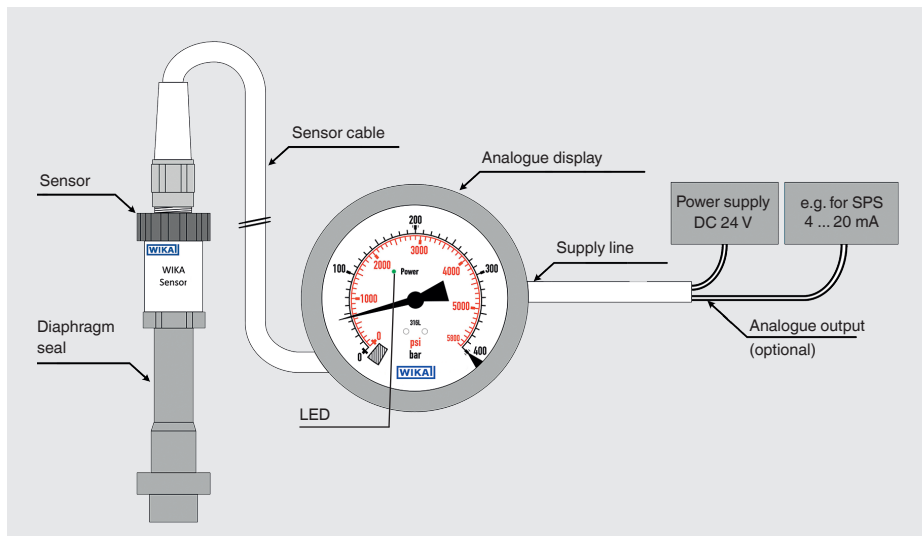
1. General information

EN

- The indicator described in the operating instructions has been designed and manufactured using state-of-the-art technology. All components are subject to stringent quality and environmental criteria during production. Our management systems are certified to ISO 9001 and ISO 14001.
- These operating instructions contain important information on handling the instrument. Working safely requires that all safety instructions and work instructions are observed.
- Observe the relevant local accident prevention regulations and general safety regulations for the instrument's range of use.
- The operating instructions are part of the product and must be kept in the immediate vicinity of the instrument and readily accessible to skilled personnel at any time. Pass the operating instructions on to the next operator or owner of the instrument.
- Skilled personnel must have carefully read and understood the operating instructions prior to beginning any work.
- The general terms and conditions contained in the sales documentation shall apply.
- Subject to technical modifications.
- Further information:
 - Internet address: www.wika.de / www.wika.com
 - Relevant data sheet: SP 20.02
 - Application consultant: Tel.: +49 9372 132-0
Fax: +49 9372 132-406
info@wika.com

2. Design and function

2.1 Installation example



2.2 Description

After connection to the power supply, the indicator will initialise independently. As soon as the LED lights up green continuously, the indicator is ready for use. A flashing LED indicates that the output signal is either above or below the scale range. From the pointer position, the operator can immediately know whether the indicator is working correctly.

The 910.70 indicator is optionally available with a 4 ... 20 mA output signal. With this option, the measurement can be evaluated away from the measuring point, e.g. at a PLC. The optional analogue output requires no additional adjustment and outputs the sensor signal as 4 ... 20 mA.

2.3 Scope of delivery

Cross-check scope of delivery with delivery note.

3. Safety

3.1 Explanation of symbols

EN



WARNING!

... indicates a potentially dangerous situation that can result in serious injury or death, if not avoided.



CAUTION!

... indicates a potentially dangerous situation that can result in light injuries or damage to property or the environment, if not avoided.



Information

... points out useful tips, recommendations and information for efficient and trouble-free operation.

3.2 Intended use

The model 910.70 indicator is an accessory and displays the measured values of an electrical sensor with a 4 ... 20 mA output signal on a dial. The case of the indicator is designed for panel mounting.

The indicator offers an optional output signal for 4 ... 20 mA.

The indicator has been designed for industrial applications in indoor and outdoor areas.

The instrument has been designed and built solely for the intended use described here, and may only be used accordingly.

Only use the instrument in applications that lie within its technical performance limits (e.g. max. ambient temperature, material compatibility, ...).

→ For performance limits see chapter 9 “Specifications”.

Improper handling or operation of the instrument outside of its technical specifications requires the instrument to be taken out of service immediately and inspected by an authorised WIKA service engineer.

Handle electronic precision instruments with the required care (protect from humidity, impacts, strong magnetic fields, static electricity and extreme temperatures, do not insert any objects into the instrument or its openings). Plugs and sockets must be protected from contamination.

The manufacturer shall not be liable for claims of any type based on operation contrary to the intended use.

3.3 Improper use

**WARNING!****Injuries through improper use**

Improper use of the instrument can lead to hazardous situations and injuries.

- ▶ Refrain from unauthorised modifications to the instrument.
- ▶ Do not use the instrument within hazardous areas.

Any use beyond or different to the intended use is considered as improper use. Do not use this instrument in safety or emergency stop devices.

3.4 Responsibility of the operator

The instrument is used in the industrial sector. The operator is therefore responsible for legal obligations regarding safety at work.

The safety instructions within these operating instructions, as well as the safety, accident prevention and environmental protection regulations for the application area must be maintained.

The operator is obliged to maintain the product label in a legible condition.

3.5 Personnel qualification

**WARNING!****Risk of injury should qualification be insufficient**

Improper handling can result in considerable injury and damage to equipment.

- ▶ The activities described in these operating instructions may only be carried out by skilled personnel who have the qualifications described below.

Skilled electrical personnel

Skilled electrical personnel are understood to be personnel who, based on their technical training, know-how and experience as well as their knowledge of country-specific regulations, current standards and directives, are capable of carrying out work on electrical systems and independently recognising and avoiding potential hazards. The skilled electrical personnel have been specifically trained for the work environment they are working in and know the relevant standards and regulations. The skilled electrical personnel must comply with current legal accident prevention regulations.

Operating personnel

The personnel trained by the operator are understood to be personnel who, based on their education, knowledge and experience, are capable of carrying out the work described and independently recognising potential hazards. Special operating conditions require further appropriate knowledge, e.g. of aggressive media.

3. Safety

3.6 Personal protective equipment

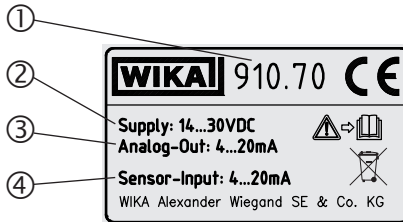
The personal protective equipment is designed to protect the skilled personnel from hazards that could impair their safety or health during work. When carrying out the various tasks on and with the instrument, the skilled personnel must wear personal protective equipment.

EN

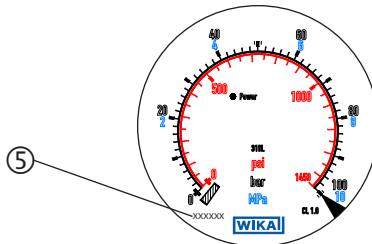
Follow the instructions displayed in the work area regarding personal protective equipment!

3.7 Labelling, safety marks

Product label on the case circumference



Dial with traceable serial number (example)



- ① Model
- ② Power supply
- ③ Output signal
- ④ Input signal
- ⑤ Serial number

Symbols



Before mounting and commissioning the instrument, ensure you read the operating instructions!



Do not dispose of with household waste. Ensure a proper disposal in accordance with national regulations.

4. Transport, packaging and storage

4.1 Transport

Check the indicator for any damage that may have been caused by transport. Obvious damage must be reported immediately.



CAUTION!

Damage through improper transport

With improper transport, a high level of damage to property can occur.

- ▶ When unloading packed goods upon delivery as well as during internal transport, proceed carefully and observe the symbols on the packaging.
- ▶ With internal transport, observe the instructions in chapter 5.2 "Packaging and storage".

If the instrument is transported from a cold into a warm environment, the formation of condensation may result in instrument malfunction. Before putting it back into operation, wait for the instrument temperature and the room temperature to equalise.

4.2 Packaging and storage

Do not remove packaging until just before mounting.

Keep the packaging as it will provide optimum protection during transport (e.g. change in installation site, sending for repair).

Permissible conditions at the place of storage:

- Storage temperature: -25 ... +70 °C
- Humidity: 10 ... 95 % r. h. (non-condensing)

Avoid exposure to the following factors:

- Direct sunlight or proximity to hot objects
- Mechanical vibration, mechanical shock (putting it down hard)
- Soot, vapour, dust and corrosive gases
- Hazardous environments, flammable atmospheres

Store the instrument in its original packaging in a location that fulfils the conditions listed above. If the original packaging is not available, pack and store the instrument as described below:

1. Wrap the instrument in an antistatic plastic film.
2. Place the instrument, along with the shock-absorbent material, in the packaging.
3. If stored for a prolonged period of time (more than 30 days), place a bag containing a desiccant inside the packaging.

5. Commissioning, operation

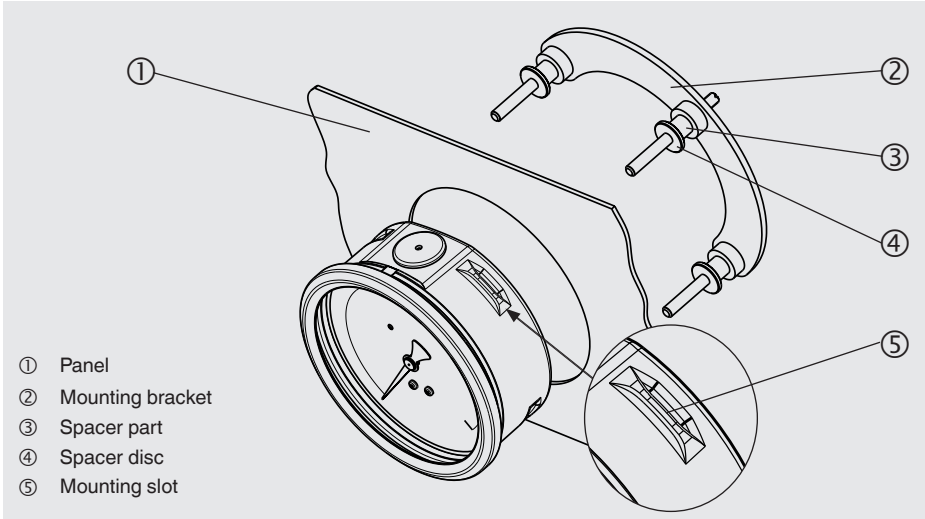
Personnel: Skilled electrical personnel

Tools: Slotted screwdriver and tools for cable preparation

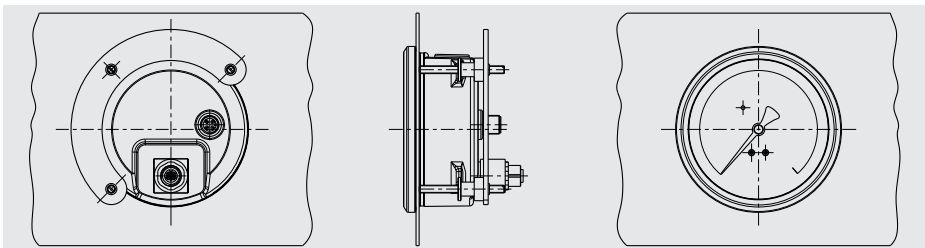
EN

5.1 Mechanical mounting

Required panel cutout: $\varnothing 104 \pm 0.5$ mm



1. Slide and align the indicator into the panel cutout from the front, so the front bezel lies flat on the panel.
2. Assemble the mounting bracket with the 3 spacer rings as shown below. With the screwdriver, set the position of the 3 spacer parts so that these, from the control panel, are positioned approx. 3 mm in front of the mounting slots.



3. Place the spacer discs of the mounting bracket in the mounting slots.
4. Screw in the 3 spacer parts evenly using the slotted screwdriver, so that the indicator is evenly and solidly mounted in the control panel.

5. Commissioning, operation

5.2 Electrical mounting

The power supply unit used for the voltage supply of the instrument must fulfil the demands on the required power supply, see chapter 9 “Specifications”.

For the electrical connection of the instrument, only the original cables delivered from WIKA for this instrument may be used.

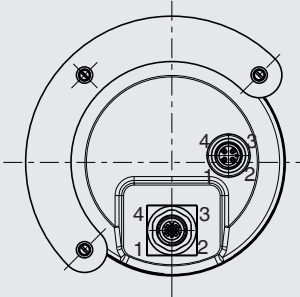
EN



WARNING!

Before commissioning, ensure that the voltage supply is turned off.

Wiring



Analogue output (optional)
Connector: Connection for supply cable (4-pin)

Cable assignment

Pin	Function	Wire colour
1	Analogue output (+)	BN
2	Power supply (DC 14 ... 24 V)	WH
3	Analogue output (-)	BL
4	Power supply (GND / 0 V)	BC

Sensor input
Female connector: Connection for sensor cable (4-pin)

1. Using the sensor cable, connect the instrument with the sensor
2. Connect the supply cable to the indicator
3. Switch on the power supply

The indicator will be initialised. If the LED lights up green, then the indicator is ready for use. If the LED flashes green, the output signal is either above or below the scale range.



The LED statuses are described in chapter 6 “Faults”.

6. Faults

Personnel: Skilled electrical personnel

EN



CAUTION!

Physical injuries and damage to property and the environment

If faults cannot be eliminated by means of the listed measures, the instrument must be taken out of operation immediately.

- ▶ Ensure that there is no longer any signal present and protect against being put into operation accidentally.
- ▶ Contact the manufacturer.
- ▶ If a return is needed, please follow the instructions given in chapter 8.1 “Return”.





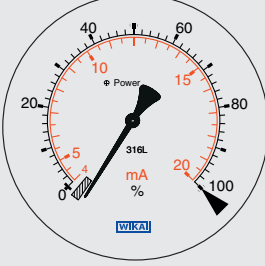
For contact details see chapter 1 “General information” or the back page of the operating instructions.

6.1 Dial markings and LED status

Dial status	Description	Operating status
	<p>Power LED lights up green. Pointer is within the scale.</p> <p>Analogue output is in the range of 4 ... 20 mA</p>	<p>Normal operation</p>
	<p>Power LED flashes green. Pointer is below the scale.</p> <p>Analogue output in the range of 4 ... 20 mA</p>	<p>After switching on the analogue display, an initialisation process is performed. Wait 5 seconds.</p>

6. Faults

EN

Dial status	Description	Operating status
	<p>Power LED flashes red. Pointer is above the full scale value.</p> <p>Analogue output: > 20 mA</p>	<p>The sensor signal is between 20.5 ... 21 mA ¹⁾. Error signal is suppressed for a few seconds.</p> <p>Check sensor.</p>
	<p>Power LED flashes red. Pointer is below the scale.</p> <p>Analogue output: < 4 mA</p>	<p>Sensor signal is < 3.6 mA ¹⁾ Error signal is suppressed for a few seconds.</p> <p>Check sensor cable and sensor.</p>
	<p>Power LED does not light up. Pointer is below the scale.</p> <p>Analogue output: > 21 mA</p>	<p>Check power supply</p>

¹⁾ In accordance with recommendation NE43 of NAMUR (international user association of automation technology in process industries)

7. Maintenance and cleaning

Personnel: Skilled electrical personnel

EN



For contact details see chapter 1 “General information” or the back page of the operating instructions.

7.1 Maintenance

This instrument is maintenance-free.

7.2 Cleaning



CAUTION!

Physical injuries and damage to property and the environment

Improper cleaning may lead to physical injuries and damage to property and the environment.

- ▶ Carry out the cleaning process as described below.

1. Prior to cleaning, properly disconnect the indicator from the power supply.
2. Clean the instrument with a moist cloth.

Electrical connections must not come into contact with moisture!



CAUTION!

Damage to property

Improper cleaning may lead to damage to the instrument!

- ▶ Do not use any aggressive cleaning agents.
- ▶ Do not use any hard or pointed objects for cleaning.

8. Return and disposal

Personnel: Skilled electrical personnel

8.1 Return

Strictly observe the following when shipping the instrument:

All instruments delivered to WIKA must be free from any kind of hazardous substances (acids, bases, solutions, etc.) and must therefore be cleaned before being returned.

- ▶ Clean the instrument, see chapter 7.2 “Cleaning”.

When returning the instrument, use the original packaging or a suitable transport packaging.

To avoid damage:

1. Wrap the instrument in an antistatic plastic film.
2. Place the instrument, along with shock-absorbent material, in the packaging.
Place shock-absorbent material evenly on all sides of the transport packaging.
3. If possible, place a bag containing a desiccant inside the packaging.
4. Label the shipment as carriage of a highly sensitive measuring instrument.



Information on returns can be found under the heading “Service” on our local website.

8.3 Disposal

Incorrect disposal can put the environment at risk.

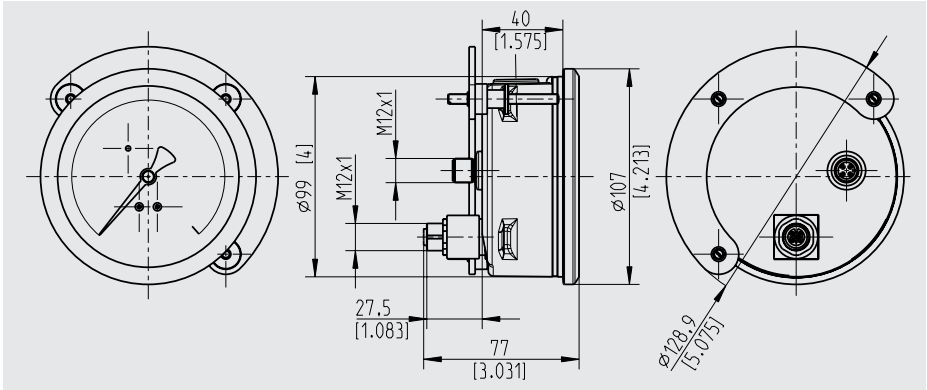
Dispose of instrument components and packaging materials in an environmentally compatible way and in accordance with the country-specific waste disposal regulations.

9. Specifications

Specifications	Model 910.70
Indicator	
Principle	A digitally controlled stepper motor drives the pointer shaft
Dial	White, black lettering
Scale range	270°
Measuring time	Max. 30 % of full scale / s
Sensor input	
Input signal	4 ... 20 mA, 2-wire
Electrical connection	Circular connector M12 x 1, 4-pin; nickel-plated brass
Accuracy	0.75 % of measuring span.
Voltage supply	
Power supply U_S	DC 14 ... 30 V, max. 0.2 A
Electrical connection	Connector M12 x 1, 4-pin
Output signal	
Output signal	4 ... 20 mA, 2-wire, passive, galvanically isolated
Permissible max. load R_A	$R_A \leq (U_B - 12 \text{ V})/0.02 \text{ A}$ with R_A in Ω and U_B in V, however max. 600 Ω
Power supply U_B	DC $12 \text{ V} < U_B < 30 \text{ V}$
Cable	
Power cord	Length: $\leq 5 \text{ m}$, only use of original cable is permitted
Sensor cable	Length: $\leq 3 \text{ m}$, only use of original cable is permitted
Permissible ambient conditions	
Operating temperature	0 ... 60 °C
Storage temperature	-25 ... +70 °C
Permissible air humidity	10 ... 95 % r. h. (non-condensing)
Case	
Material	Stainless steel
Ingress protection per IEC/EN 60529	IP65/IP67
Weight	Approx. 365 g
Mounting	With mounting bracket
Dimensions	See chapter 9.1 "Dimensions"

9. Specifications

9.1 Dimensions in mm [in]



EN

For further specifications see WIKA data sheet SP 20.02 and the order documentation.



Inhalt

1. Allgemeines	20
2. Aufbau und Funktion	21
3. Sicherheit	22
4. Transport, Verpackung und Lagerung	25
5. Inbetriebnahme, Betrieb	26
6. Störungen	28
7. Wartung und Reinigung	30
8. Demontage, Rücksendung und Entsorgung	31
9. Technische Daten	32

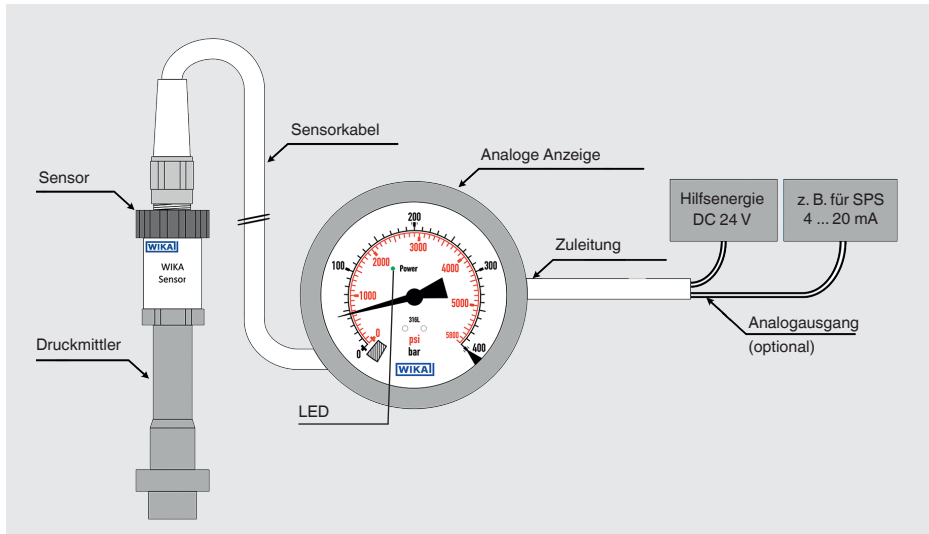
Konformitätserklärungen finden Sie online unter www.wika.de.

1. Allgemeines

- Die in der Betriebsanleitung beschriebene Anzeige wird nach dem aktuellen Stand der Technik konstruiert und gefertigt. Alle Komponenten unterliegen während der Fertigung strengen Qualitäts- und Umweltkriterien. Unsere Managementsysteme sind nach ISO 9001 und ISO 14001 zertifiziert.
- Diese Betriebsanleitung gibt wichtige Hinweise zum Umgang mit dem Gerät. Voraussetzung für sicheres Arbeiten ist die Einhaltung aller angegebenen Sicherheitshinweise und Handlungsanweisungen.
- Die für den Einsatzbereich des Gerätes geltenden örtlichen Unfallverhütungsvorschriften und allgemeinen Sicherheitsbestimmungen einhalten.
- Die Betriebsanleitung ist Produktbestandteil und muss in unmittelbarer Nähe des Gerätes für das Fachpersonal jederzeit zugänglich aufbewahrt werden. Betriebsanleitung an nachfolgende Benutzer oder Besitzer des Gerätes weitergeben.
- Das Fachpersonal muss die Betriebsanleitung vor Beginn aller Arbeiten sorgfältig durchgelesen und verstanden haben.
- Es gelten die allgemeinen Geschäftsbedingungen in den Verkaufsunterlagen.
- Technische Änderungen vorbehalten.
- Weitere Informationen:
 - Internet-Adresse: www.wika.de / www.wika.com
 - Zugehöriges Datenblatt: SP 20.02
 - Anwendungsberater: Tel.: +49 9372 132-0
Fax: +49 9372 132-406
info@wika.com

2. Aufbau und Funktion

2.1 Einbaubeispiel



DE

2.2 Beschreibung

Nach dem Anschluss an die Stromversorgung initialisiert sich die Anzeige selbstständig. Sobald die LED dauerhaft grün leuchtet, ist die Anzeige funktionsbereit. Eine blinkende LED zeigt an, dass das Ausgangssignal oberhalb oder unterhalb des Anzeigebereiches liegt. Anhand der Zeigerstellung kann der Bediener sofort erkennen, ob die Anzeige korrekt arbeitet.

Die Anzeige 910.70 ist optional mit einem Analogausgang 4 ... 20 mA lieferbar. Mit dieser Option kann die Messung fernab von der Messstelle, z. B. auf einer SPS, ausgewertet werden. Der optionale Analogausgang erfordert keinen zusätzlichen Abgleich und gibt das Sensorsignal von 4 ... 20 mA aus.

2.3 Lieferumfang

Lieferumfang mit dem Lieferschein abgleichen.

3. Sicherheit

3.1 Symbolerklärung

**WARNUNG!**

... weist auf eine möglicherweise gefährliche Situation hin, die zum Tod oder zu schweren Verletzungen führen kann, wenn sie nicht gemieden wird.

**VORSICHT!**

... weist auf eine möglicherweise gefährliche Situation hin, die zu geringfügigen oder leichten Verletzungen bzw. Sach- und Umweltschäden führen kann, wenn sie nicht gemieden wird.

**Information**

... hebt nützliche Tipps und Empfehlungen sowie Informationen für einen effizienten und störungsfreien Betrieb hervor.

3.2 Bestimmungsgemäße Verwendung

Die Anzeige Typ 910.70 ist Zubehör und zeigt Messwerte eines elektrischen Sensors mit 4 ... 20 mA-Ausgangssignal auf einem Zifferblatt an. Das Gehäuse der Anzeige ist für den Einbau in Schalttafeln vorgesehen.

Die Anzeige liefert optional ein Ausgangssignal für 4 ... 20 mA.

Die Anzeige wurde für gewerbliche Anwendungen im Innen- und Außenbereich konzipiert.

Das Gerät ist ausschließlich für den hier beschriebenen bestimmungsgemäßen Verwendungszweck konzipiert und konstruiert und darf nur dementsprechend verwendet werden.

Das Gerät nur in Anwendungen verwenden, die innerhalb seiner technischen Leistungsgrenzen liegen (z. B. max. Umgebungstemperatur, Materialverträglichkeit, ...).

→ Leistungsgrenzen siehe Kapitel 9 „Technische Daten“.

Eine unsachgemäße Handhabung oder ein Betreiben des Gerätes außerhalb der technischen Spezifikationen macht die sofortige Stilllegung und Überprüfung durch einen autorisierten WIKA-Servicemitarbeiter erforderlich.

Elektronische Präzisionsgeräte mit erforderlicher Sorgfalt behandeln (vor Nässe, Stößen, starken Magnetfeldern, statischer Elektrizität und extremen Temperaturen schützen, keine Gegenstände in das Gerät bzw. Öffnungen einführen). Stecker und Buchsen vor Verschmutzung schützen.

Ansprüche jeglicher Art aufgrund von nicht bestimmungsgemäßer Verwendung sind ausgeschlossen.

3.3 Fehlgebrauch



WARNUNG!

Verletzungen durch Fehlgebrauch

Fehlgebrauch des Gerätes kann zu gefährlichen Situationen und Verletzungen führen.

- ▶ Eigenmächtige Umbauten am Gerät unterlassen.
- ▶ Gerät nicht in explosionsgefährdeten Bereichen einsetzen.

Jede über die bestimmungsgemäße Verwendung hinausgehende oder andersartige Benutzung gilt als Fehlgebrauch.

Dieses Gerät nicht in Sicherheits- oder in Not-Aus-Einrichtungen benutzen.

3.4 Verantwortung des Betreibers

Das Gerät wird im gewerblichen Bereich eingesetzt. Der Betreiber unterliegt daher den gesetzlichen Pflichten zur Arbeitssicherheit.

Die Sicherheitshinweise dieser Betriebsanleitung, sowie die für den Einsatzbereich des Gerätes gültigen Sicherheits-, Unfallverhütungs- und Umweltschutzvorschriften einhalten.

Der Betreiber ist verpflichtet das Typenschild lesbar zu halten.

3.5 Personalqualifikation



WARNUNG!

Verletzungsgefahr bei unzureichender Qualifikation

Unsachgemäßer Umgang kann zu erheblichen Personen- und Sachschäden führen.

- ▶ Die in dieser Betriebsanleitung beschriebenen Tätigkeiten nur durch Fachpersonal nachfolgend beschriebener Qualifikation durchführen lassen.

Elektrofachpersonal

Das Elektrofachpersonal ist aufgrund seiner fachlichen Ausbildung, Kenntnisse und Erfahrungen sowie Kenntnis der landesspezifischen Vorschriften, geltenden Normen und Richtlinien in der Lage, Arbeiten an elektrischen Anlagen auszuführen und mögliche Gefahren selbstständig zu erkennen und zu vermeiden.

Das Elektrofachpersonal ist speziell für das Arbeitsumfeld, in dem es tätig ist, ausgebildet und kennt die relevanten Normen und Bestimmungen. Das Elektrofachpersonal muss die Bestimmungen der geltenden gesetzlichen Vorschriften zur Unfallverhütung erfüllen.

Bedienpersonal

Das vom Betreiber geschulte Personal ist aufgrund seiner Bildung, Kenntnisse und Erfahrungen in der Lage, die beschriebenen Arbeiten auszuführen und mögliche Gefahren selbstständig zu erkennen.

Spezielle Einsatzbedingungen verlangen weiteres entsprechendes Wissen, z. B. über aggressive Messstoffe.

3. Sicherheit

3.6 Persönliche Schutzausrüstung

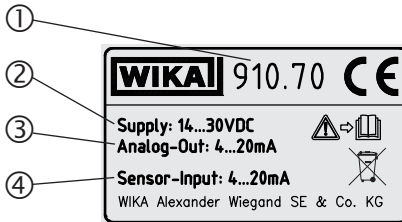
Die persönliche Schutzausrüstung dient dazu, das Fachpersonal gegen Gefahren zu schützen, die dessen Sicherheit oder Gesundheit bei der Arbeit beeinträchtigen könnten. Beim Ausführen der verschiedenen Arbeiten an und mit dem Gerät muss das Fachpersonal persönliche Schutzausrüstung tragen.

Im Arbeitsbereich angebrachte Hinweise zur persönlichen Schutzausrüstung befolgen!

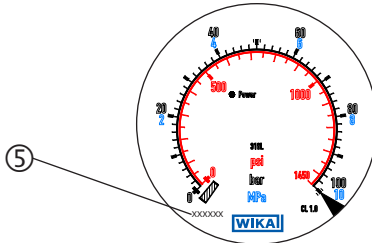
DE

3.7 Beschilderung, Sicherheitskennzeichnungen

Typenschild am Gehäuseumfang



Zifferblatt mit rückverfolgbarer Seriennummer (Beispiel)



- ① Typ
- ② Hilfsenergie
- ③ Ausgangssignal
- ④ Eingangssignal
- ⑤ Seriennummer

Symbole



Vor Montage und Inbetriebnahme des Gerätes unbedingt die Betriebsanleitung lesen!



Nicht mit dem Hausmüll entsorgen. Für eine geordnete Entsorgung gemäß nationaler Vorgaben sorgen.

4. Transport, Verpackung und Lagerung

4.1 Transport

Anzeige auf eventuell vorhandene Transportschäden untersuchen.
Offensichtliche Schäden unverzüglich mitteilen.



VORSICHT!

Beschädigungen durch unsachgemäßen Transport

Bei unsachgemäßem Transport können Sachschäden in erheblicher Höhe entstehen.

- ▶ Beim Abladen der Packstücke bei Anlieferung sowie innerbetrieblichem Transport vorsichtig vorgehen und die Symbole auf der Verpackung beachten.
- ▶ Bei innerbetrieblichem Transport die Hinweise unter Kapitel 5.2 „Verpackung und Lagerung“ beachten.

Wird das Gerät von einer kalten in eine warme Umgebung transportiert, so kann durch Kondensatbildung eine Störung der Gerätefunktion eintreten. Vor einer erneuten Inbetriebnahme die Angleichung der Gerätetemperatur an die Raumtemperatur abwarten.

4.2 Verpackung und Lagerung

Verpackung erst unmittelbar vor der Montage entfernen.

Die Verpackung aufbewahren, denn diese bietet bei einem Transport einen optimalen Schutz (z. B. wechselnder Einbauort, Reparatursendung).

Zulässige Bedingungen am Lagerort:

- Lagertemperatur: -25 ... +70 °C
- Feuchte: 10 ... 95 % r. F. (nicht kondensierend)

Folgende Einflüsse vermeiden:

- Direktes Sonnenlicht oder Nähe zu heißen Gegenständen
- Mechanische Vibration, mechanischer Schock (hartes Aufstellen)
- Ruß, Dampf, Staub und korrosive Gase
- Explosionsgefährdete Umgebung, entzündliche Atmosphären

Das Gerät in der Originalverpackung an einem Ort, der die oben gelisteten Bedingungen erfüllt, lagern. Wenn die Originalverpackung nicht vorhanden ist, dann das Gerät wie folgt verpacken und lagern:

1. Das Gerät in eine antistatische Plastikfolie einhüllen.
2. Das Gerät mit dem Dämmmaterial in der Verpackung platzieren.
3. Bei längerer Einlagerung (mehr als 30 Tage) einen Beutel mit Trocknungsmittel der Verpackung beilegen.

5. Inbetriebnahme, Betrieb

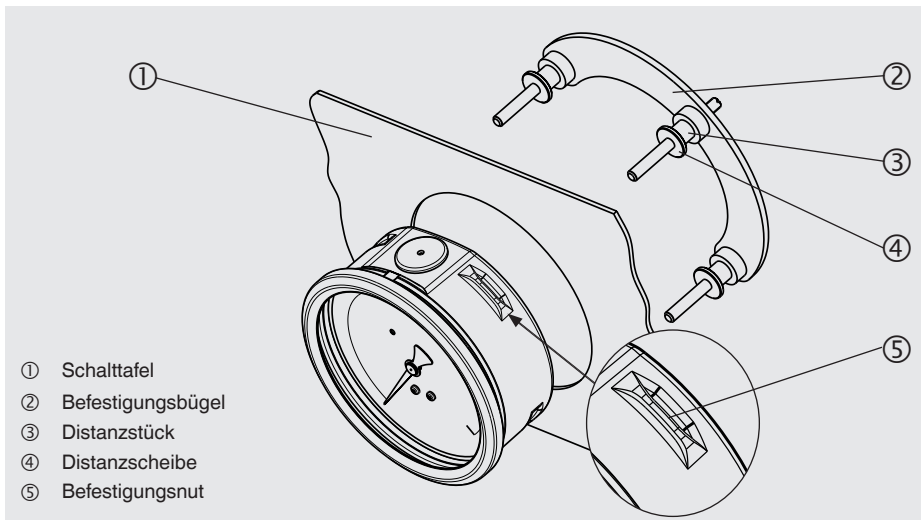
Personal: Elektrofachpersonal

Werkzeuge: Schlitzschraubendreher und Werkzeuge zur Kabelkonfektionierung

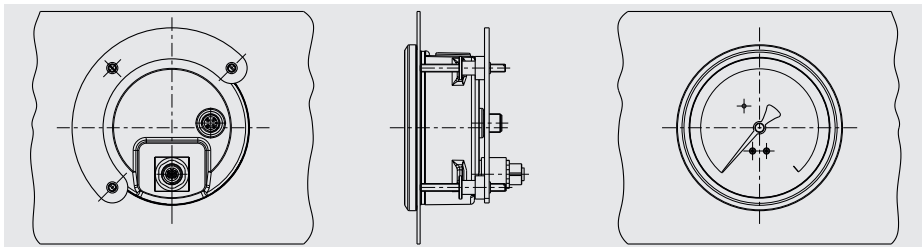
5.1 Mechanische Montage

Erforderlicher Schalttafelausschnitt: $\varnothing 104 \pm 0,5 \text{ mm}$

DE



1. Anzeige von vorn in den Schalttafelausschnitt einschieben und so ausrichten, dass der Frontring flach auf der Schalttafel aufliegt.
2. Den Befestigungsbügel mit den 3 Abstandsringen wie unten gezeigt montieren. Mit dem Schraubendreher die Position der 3 Distanzstücke so einstellen, dass diese von der Schalttafel ausgehend ca. 3 mm vor den Befestigungsnuten positioniert sind.



3. Die Distanzscheiben des Befestigungsbügels in die Befestigungsnuten einlegen.
4. Gleichmäßig die 3 Distanzstücke mit dem Schlitzschraubendreher einschrauben, sodass die Anzeige gleichmäßig und fest in der Schalttafel montiert ist.

5.2 Elektrische Montage

Das verwendete Netzteil für die Spannungsversorgung des Gerätes muss die Anforderungen an die benötigte Hilfsenergie, siehe Kapitel 9 „Technische Daten“, erfüllen.

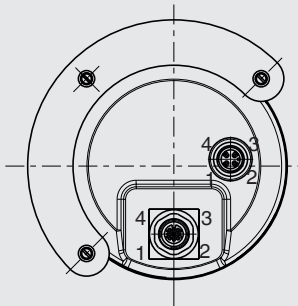
Für den elektrischen Anschluss des Gerätes dürfen nur die von WIKA gelieferten Originalkabel für dieses Gerät verwendet werden.



WARNUNG!

Vor der Inbetriebnahme sicherstellen, dass die Spannungsversorgung ausgeschaltet ist.

Verdrahtung



Analogausgang (optional)
Stecker: Anschluss für Versorgungskabel (4-polig)

Kabelbelegung

Pin	Funktion	Aderfarbe
1	Analogausgang (+)	BN
2	Hilfsenergie (DC 14 ... 24 V)	WH
3	Analogausgang (-)	BL
4	Hilfsenergie (GND / 0 V)	BC

Sensoreingang
Buchse: Anschluss für Sensorkabel (4-polig)

1. Mit dem Sensorkabel das Gerät mit dem Sensor verbinden
2. Versorgungskabel an die Anzeige anschließen
3. Hilfsenergie einschalten

Die Anzeige wird initialisiert. Leuchtet die LED grün, so ist die Anzeige funktionsbereit. Blinkt die LED grün, liegt das Ausgangssignal oberhalb oder unterhalb des Anzeigebereiches.



Die LED-Stati sind in Kapitel 6 „Störungen“ beschrieben.

6. Störungen

Personal: Elektrofachpersonal



VORSICHT!

Körperverletzungen, Sach- und Umweltschäden

Können Störungen mit Hilfe der aufgeführten Maßnahmen nicht beseitigt werden, Gerät unverzüglich außer Betrieb setzen.

- ▶ Sicherstellen, dass kein Signal mehr anliegt und gegen versehentliche Inbetriebnahme schützen.
- ▶ Kontakt mit dem Hersteller aufnehmen.
- ▶ Bei notwendiger Rücksendung die Hinweise unter Kapitel 8.1 „Rücksendung“ beachten.

DE

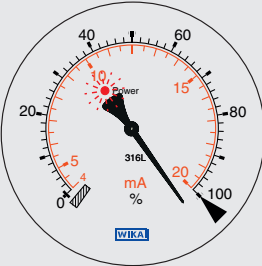
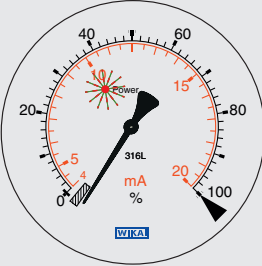
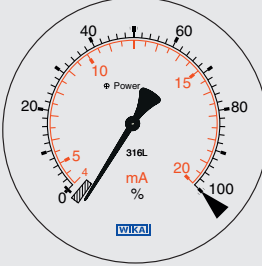


Kontaktdaten siehe Kapitel 1 „Allgemeines“ oder Rückseite der Betriebsanleitung.

6.1 Zifferblattmarkierungen und LED-Status

Status Zifferblatt	Beschreibung	Betriebsstatus
	<p>Power-LED leuchtet grün. Zeiger befindet sich innerhalb der Skale.</p> <p>Analogausgang ist im Bereich von 4 ... 20 mA</p>	<p>Normalbetrieb</p>
	<p>Power-LED blinkt grün. Zeiger befindet sich unterhalb der Skale.</p> <p>Analogausgang ist im Bereich von 4 ... 20 mA</p>	<p>Nach dem Einschalten der Analoganzeige wird ein Initialisierungsprozess durchgeführt. 5 Sekunden warten.</p>

6. Störungen

Status Zifferblatt	Beschreibung	Betriebsstatus
	<p>Power-LED blinkt rot. Zeiger befindet sich oberhalb des Skalendendwertes.</p> <p>Analogausgang: > 20 mA</p>	<p>Das Sensorsignal liegt zwischen 20,5 ... 21 mA ¹⁾. Fehlersignal wird einige Sekunden unterdrückt.</p> <p>Sensor prüfen.</p>
	<p>Power-LED blinkt rot. Zeiger befindet sich unterhalb der Skale.</p> <p>Analogausgang: < 4 mA</p>	<p>Sensorsignal ist < 3,6 mA ¹⁾ Fehlersignal wird einige Sekunden unterdrückt.</p> <p>Sensorkabel und Sensor prüfen.</p>
	<p>Power-LED leuchtet nicht. Zeiger befindet sich unterhalb der Skale.</p> <p>Analogausgang: > 21 mA</p>	<p>Hilfsenergie prüfen</p>

DE

¹⁾ Gemäß Empfehlung NE43 der NAMUR (internationaler Verband der Anwender von Automatisierungstechnik der Prozessindustrie)

7. Wartung und Reinigung

Personal: Elektrofachpersonal



Kontaktaten siehe Kapitel 1 „Allgemeines“ oder Rückseite der Betriebsanleitung.

DE

7.1 Wartung

Dieses Gerät ist wartungsfrei.

7.2 Reinigung



VORSICHT!

Körperverletzungen, Sach- und Umweltschäden

Eine unsachgemäße Reinigung führt zu Körperverletzungen, Sach- und Umweltschäden.

- ▶ Reinigungsvorgang wie folgt beschrieben durchführen.

1. Vor der Reinigung die Anzeige ordnungsgemäß von der Stromversorgung trennen.

2. Das Gerät mit einem feuchten Tuch reinigen.

Elektrische Anschlüsse nicht mit Feuchtigkeit in Berührung bringen!



VORSICHT!

Sachbeschädigung

Eine unsachgemäße Reinigung führt zur Beschädigung des Gerätes!

- ▶ Keine aggressiven Reinigungsmittel verwenden.
- ▶ Keine harten und spitzen Gegenstände zur Reinigung verwenden.

8. Rücksendung und Entsorgung

Personal: Elektrofachpersonal

8.1 Rücksendung

Beim Versand des Gerätes unbedingt beachten:

Alle an WIKA gelieferten Geräte müssen frei von Gefahrstoffen (Säuren, Laugen, Lösungen, etc.) sein und sind daher vor der Rücksendung zu reinigen.

- ▶ Gerät reinigen, siehe Kapitel 7.2 „Reinigung“.

Zur Rücksendung des Gerätes die Originalverpackung oder eine geeignete Transportverpackung verwenden.

Um Schäden zu vermeiden:

1. Das Gerät in eine antistatische Plastikfolie einhüllen.
2. Das Gerät mit dem Dämmmaterial in der Verpackung platzieren.
Zu allen Seiten der Transportverpackung gleichmäßig dämmen.
3. Wenn möglich, einen Beutel mit Trocknungsmittel der Verpackung beifügen.
4. Sendung als Transport eines hochempfindlichen Messgerätes kennzeichnen.



Hinweise zur Rücksendung befinden sich in der Rubrik „Service“ auf unserer lokalen Internetseite.

8.3 Entsorgung

Durch falsche Entsorgung können Gefahren für die Umwelt entstehen.

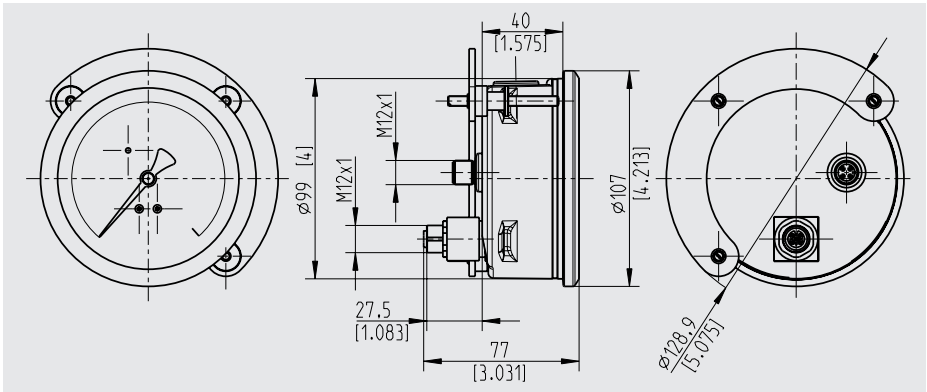
Gerätekomponenten und Verpackungsmaterialien entsprechend den landesspezifischen Abfallbehandlungs- und Entsorgungsvorschriften umweltgerecht entsorgen.

9. Technische Daten

Technische Daten	Typ 910.70
Anzeige	
Prinzip	Digital gesteuerter Schrittmotor treibt Zeigerwelle an
Zifferblatt	Weiß, Skalierung schwarz
Anzeigebereich	270°
Messzeit	Max. 30 % Endwert / s
Sensoreingang	
Eingangssignal	4 ... 20 mA, 2-Leiter
Elektrischer Anschluss	Rundsteckverbinder M12 x 1, 4-polig; Messing vernickelt
Genauigkeit	0,75 % der Messspanne
Spannungsversorgung	
Hilfsenergie U_S	DC 14 ... 30 V, max. 0,2 A
Elektrischer Anschluss	Stecker M12 x 1, 4-polig
Ausgangssignal	
Ausgangssignal	4 ... 20 mA, 2-Leiter, passiv, galvanisch getrennt
Zulässige max. Bürde R_A	$R_A \leq (U_B - 12 V)/0,02 A$ mit R_A in Ω und U_B in V, jedoch max. 600 Ω
Hilfsenergie U_B	DC 12 V < U_B < 30 V
Kabel	
Netzkabel	Länge: ≤ 5 m, nur Verwendung von Originalkabel zulässig
Sensorkabel	Länge: ≤ 3 m, nur Verwendung von Originalkabel zulässig
Zulässige Umgebungsbedingungen	
Betriebstemperatur	0 ... 60 °C
Lagertemperatur	-25 ... +70 °C
Zulässige Luftfeuchte	10 ... 95 % r. F. (nicht kondensierend)
Gehäuse	
Werkstoff	CrNi-Stahl
Schutzart nach IEC/EN 60529	IP65/IP67
Gewicht	Ca. 365 g
Montage	Mit Befestigungsbügel
Abmessungen	Siehe Kapitel 9.1 „Abmessungen“

DE

9.1 Abmessungen in mm [in]



DE

Weitere technische Daten siehe WIKA-Datenblatt SP 20.02 und Bestellunterlagen.

DE

Sommaire

1. Généralités	36
2. Conception et fonction	37
3. Sécurité	38
4. Transport, emballage et stockage	41
5. Mise en service, utilisation	42
6. Dysfonctionnements	44
7. Entretien et nettoyage	46
8. Démontage, retour et mise au rebut	47
9. Spécifications	48

Déclarations de conformité disponibles sur www.wika.fr.

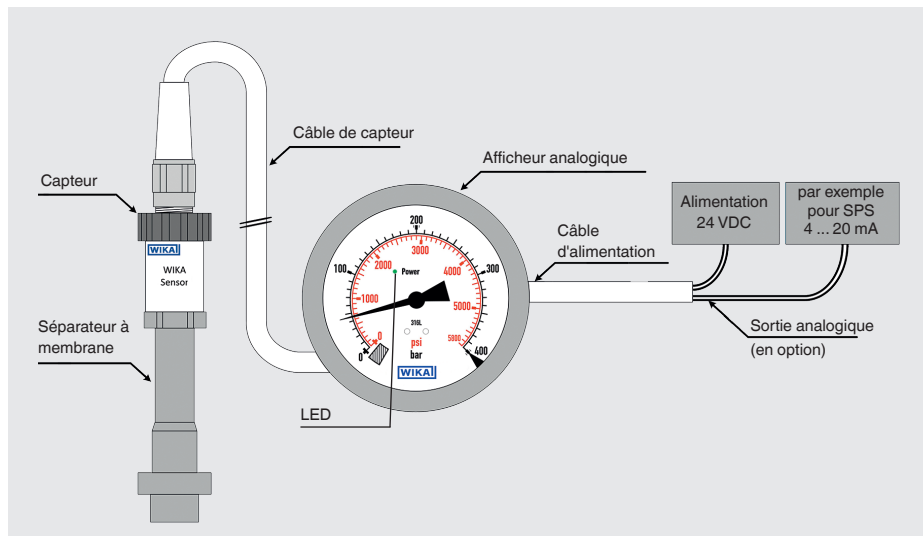
1. Généralités

FR

- L'afficheur décrit dans le mode d'emploi est conçu et fabriqué selon les dernières technologies en vigueur. Tous les composants sont soumis à des exigences environnementales et de qualité strictes durant la fabrication. Nos systèmes de gestion sont certifiés selon ISO 9001 et ISO 14001.
- Ce mode d'emploi donne des indications importantes concernant l'utilisation de l'instrument. Il est possible de travailler en toute sécurité avec ce produit en respectant toutes les consignes de sécurité et d'utilisation.
- Respecter les prescriptions locales de prévention contre les accidents et les prescriptions générales de sécurité en vigueur pour le domaine d'application de l'instrument.
- Le mode d'emploi fait partie de l'instrument et doit être conservé à proximité immédiate de l'instrument et accessible à tout moment pour le personnel qualifié. Confier le mode d'emploi à l'utilisateur ou propriétaire ultérieur de l'instrument.
- Le personnel qualifié doit, avant de commencer toute opération, avoir lu soigneusement et compris le mode d'emploi.
- Les conditions générales de vente mentionnées dans les documents de vente s'appliquent.
- Sous réserve de modifications techniques.
- Pour obtenir d'autres informations :
 - Consulter notre site Internet : www.wika.fr
 - Fiche technique correspondante : SP 20.02
 - Conseiller applications : Tel.: 0 820 951010 (0,15 €/min)
+33 1 787049-46
Fax : 0 891 035891 (0,35 €/min)
info@wika.fr

2. Conception et fonction

2.1 Exemple d'installation



FR

2.2 Description

Après le branchement sur l'alimentation électrique, l'afficheur va s'initialiser indépendamment. Dès que les LED s'allument en vert de manière continue, l'afficheur est prêt à l'emploi. Une LED clignotante indique que le signal de sortie est soit au-dessus, soit en-dessous de l'échelle de mesure. A partir de la position de l'aiguille, l'opérateur peut savoir immédiatement si l'afficheur fonctionne correctement.

L'afficheur 910.70 est disponible en option avec un signal de sortie de 4 ... 20 mA. Avec cette option, la mesure peut être évaluée à distance du point de mesure, par exemple avec un PLC. La sortie analogique en option ne nécessite aucun réglage supplémentaire et transmet en sortie le signal 4 ... 20 mA du capteur.

2.3 Détail de la livraison

Comparer le détail de la livraison avec le bordereau de livraison.

3. Sécurité

3.1 Explication des symboles

FR



AVERTISSEMENT !

... indique une situation présentant des risques susceptibles de provoquer la mort ou des blessures graves si elle n'est pas évitée.



ATTENTION !

... indique une situation potentiellement dangereuse et susceptible de provoquer de légères blessures ou des dommages pour le matériel et pour l'environnement si elle n'est pas évitée.



Information

... met en exergue les conseils et recommandations utiles de même que les informations permettant d'assurer un fonctionnement efficace et normal.

3.2 Utilisation conforme à l'usage prévu

L'afficheur type 910.70 est un accessoire et affiche les valeurs de mesure d'un capteur électrique avec un signal de sortie de 4 ... 20 mA sur un cadran. Le boîtier de l'afficheur est conçu pour montage panneau.

L'afficheur offre un signal de sortie en option pour 4 ... 20 mA.

L'afficheur a été conçu pour des applications industrielles situées à l'intérieur et à l'extérieur.

Ces instruments sont conçus et construits exclusivement pour une utilisation conforme à l'usage prévu décrit ici, et ne doivent être utilisés qu'à cet effet.

Utiliser l'instrument uniquement dans des applications qui se trouvent dans les limites de ses performances techniques (par exemple température ambiante maximale, compatibilité de matériau, ...).

→ Pour limites de performance voir chapitre 9 "Spécifications"

En cas d'utilisation non conforme ou de fonctionnement de l'instrument en dehors des spécifications techniques, un arrêt et contrôle doivent être immédiatement effectués par un collaborateur autorisé du service de WIKA.

Traiter l'instrument de précision électronique avec le soin requis (protéger l'instrument contre l'humidité, les chocs, les forts champs magnétiques, l'électricité statique et les températures extrêmes, n'introduire aucun objet dans l'instrument ou les ouvertures). Il est impératif de protéger les connecteurs et les prises contre les salissures.

Aucune réclamation ne peut être recevable en cas d'utilisation non conforme à l'usage prévu.

3.3 Utilisation inappropriée



AVERTISSEMENT !

Blessures causées par une utilisation inappropriée

Une utilisation inappropriée peut conduire à des situations dangereuses et à des blessures.

- ▶ S'abstenir de modifications non autorisées sur l'instrument
- ▶ Ne pas utiliser l'instrument en zone explosive.

Toute utilisation différente ou au-delà de l'utilisation prévue est considérée comme inappropriée.

Ne pas utiliser cet instrument dans des dispositifs de sécurité ou d'arrêt d'urgence.

3.4 Responsabilité de l'opérateur

L'instrument est prévu pour un usage dans le domaine industriel. L'opérateur est de ce fait responsable des obligations légales en matière de sécurité du travail.

Les instructions de sécurité de ce mode d'emploi comme les réglementations liées à la sécurité, à la prévention des accidents et à la protection de l'environnement pour le domaine d'application doivent être respectées.

L'opérateur doit s'assurer que la plaque signalétique reste lisible.

3.5 Qualification du personnel



AVERTISSEMENT !

Danger de blessure en cas de qualification insuffisante

Une utilisation non conforme peut entraîner d'importants dommages corporels et matériels.

- ▶ Les opérations décrites dans ce mode d'emploi ne doivent être effectuées que par un personnel ayant la qualification décrite ci-après.

Personnel qualifié en électricité

L'électricien qualifié est, en raison de sa formation spécialisée, de ses connaissances et de ses expériences de même que de sa connaissance des prescriptions nationales, des normes et directives en vigueur, en mesure d'effectuer les travaux sur les montages électriques, de reconnaître automatiquement les dangers potentiels et de les éviter.

L'électricien qualifié est formé spécialement pour le domaine d'action dans lequel il est formé et connaît les normes et dispositions importantes. L'électricien qualifié doit satisfaire aux dispositions des prescriptions juridiques en vigueur relatives à la protection contre les accidents.

Personnel opérationnel

Le personnel formé par l'opérateur est, en raison de sa formation et de son expérience en mesure d'effectuer les travaux décrits et de reconnaître de façon autonome les dangers potentiels.

Les conditions d'utilisation spéciales exigent également une connaissance adéquate, par ex. des liquides agressifs.

3.6 Equipement de protection individuelle

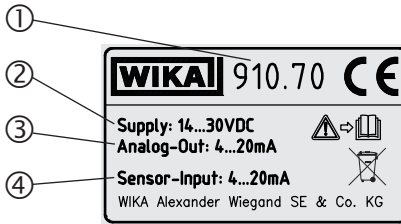
L'équipement de protection individuelle sert à protéger le personnel qualifié contre les dangers pouvant entraver la sécurité et la santé de ce dernier durant le travail. Le personnel qualifié doit porter l'équipement de protection individuelle lors de l'exécution des différents travaux sur et avec l'instrument.

FR

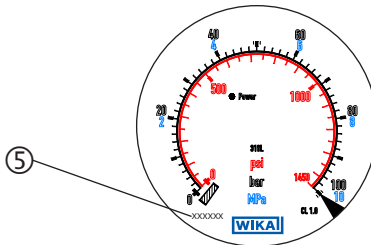
Respecter les indications concernant l'équipement de protection individuelle dans la zone de travail !

3.7 Etiquetage, marquages de sécurité

Plaque signalétique sur la circonférence du boîtier



Cadran avec numéro de série traçable (exemple)



- ① Type
- ② Alimentation
- ③ Signal de sortie
- ④ Signal d'entrée
- ⑤ Numéro de série

Symboles



Lire impérativement le mode d'emploi avant le montage et la mise en service de l'instrument !



Ne pas mettre au rebut avec les ordures ménagères. Assurer une mise au rebut correcte en conformité avec les réglementations nationales.

4. Transport, emballage et stockage

4.1 Transport

Vérifier si l'afficheur a été endommagé pendant le transport.
Communiquer immédiatement les dégâts constatés.

FR



ATTENTION !

Dommmages liés à un transport inapproprié

Un transport inapproprié peut donner lieu à des dommages importants.

- ▶ Lors du déchargement des colis à la livraison comme lors du transport des colis en interne après réception, il faut procéder avec soin et observer les consignes liées aux symboles figurant sur les emballages.
- ▶ Lors du transport en interne après réception, observer les instructions du chapitre 5.2 "Emballage et stockage".

Si l'instrument est transporté d'un environnement froid dans un environnement chaud, la formation de condensation peut provoquer un dysfonctionnement fonctionnel de l'instrument. Il est nécessaire d'attendre que la température de l'instrument se soit adaptée à la température ambiante avant une nouvelle mise en service.

4.2 Emballage et stockage

N'enlever l'emballage qu'avant le montage.

Conserver l'emballage, celui-ci offre, lors d'un transport, une protection optimale (par ex. changement de lieu d'utilisation, renvoi pour réparation).

Conditions admissibles sur le lieu de stockage :

- Température de stockage : -25 ... +70 °C
- Humidité : 10 ... 95 % h. r. (sans condensation)

Eviter les influences suivantes :

- Lumière solaire directe ou proximité d'objets chauds
- Vibrations mécaniques, chocs mécaniques (mouvements brusques en le posant)
- Suie, vapeur, poussière et gaz corrosifs
- Environnements dangereux, atmosphères inflammables

Conserver l'instrument dans l'emballage original dans un endroit qui satisfait aux conditions susmentionnées. Si l'emballage d'origine n'est pas disponible, emballer et stocker l'instrument comme suit :

1. Emballer l'instrument dans une feuille de plastique antistatique.
2. Placer l'instrument avec le matériau isolant dans l'emballage.
3. En cas d'entreposage long (plus de 30 jours), mettre également un sachet absorbant d'humidité dans l'emballage.

5. Mise en service, utilisation

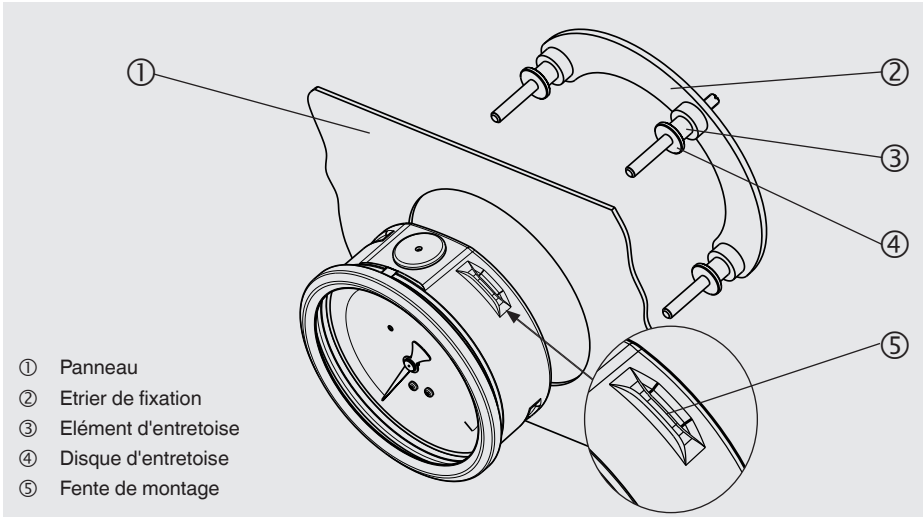
Personnel : personnel qualifié en électricité

Outils : tournevis à fente et outils pour préparer des câbles

FR

5.1 Montage mécanique

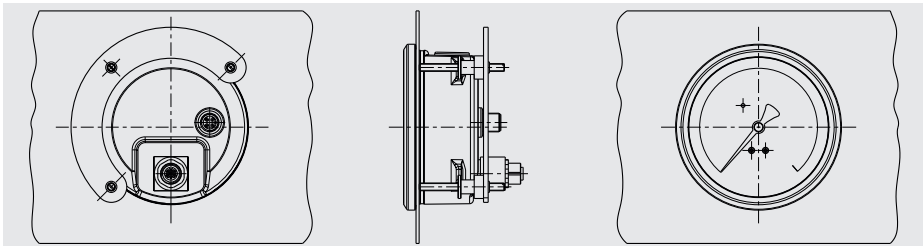
Découpe panneau requise : $\varnothing 104 \pm 0,5$ mm



- ① Panneau
- ② Etrier de fixation
- ③ Élément d'entretoise
- ④ Disque d'entretoise
- ⑤ Fente de montage

1. Glisser et aligner l'afficheur dans la découpe de panneau depuis l'avant, de sorte que la lunette frontale repose à plat sur le panneau.
2. Assembler la potence de fixation avec les 3 bagues d'entretoise comme indiqué ci-dessous.

Avec le tournevis, régler la position des 3 éléments d'entretoise de sorte que celles-ci, depuis le panneau de contrôle, soient positionnées environ 3 mm devant les fentes de montage.



3. Placer les disques d'entretoise de la potence d'installation dans les fentes de montage.
4. Visser les 3 éléments d'entretoise de manière uniforme au moyen du tournevis à fente de sorte que l'afficheur soit installé de manière régulière et solide dans le panneau de contrôle.

5.2 Montage électrique

L'alimentation électrique utilisée pour la tension d'alimentation de l'instrument doit respecter les exigences de l'alimentation électrique requise, voir chapitre 9 "Spécifications".

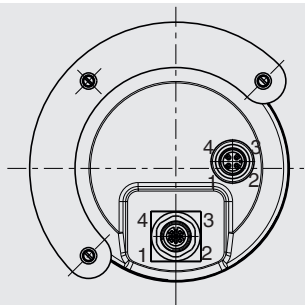
Pour le raccordement électrique de l'instrument, seuls les câbles d'origine fournis par WIKA pour cet instrument pourront être utilisés.



AVERTISSEMENT !

Avant la mise en service, assurez-vous que la tension d'alimentation est éteinte.

Raccordement électrique



Sortie analogique (en option)
Connecteur : connexion pour câble d'alimentation (4 plots)

Raccordement électrique

Broche	Fonction	Couleur de câble
1	Sortie analogique (+)	BN
2	Alimentation (14 ... 24 VDC)	WH
3	Sortie analogique (-)	BL
4	Alimentation (GND / 0 V)	BC

Entrée de la sonde

Connecteur femelle : connexion pour câble de capteur (4 plots)

1. Au moyen du câble de capteur, raccorder l'instrument avec le capteur
2. Raccorder le câble d'alimentation à l'afficheur
3. Allumer l'alimentation électrique

L'afficheur s'initialise. Si la LED s'allume en vert, l'afficheur est prêt à l'emploi. Si la LED clignote en vert, le signal de sortie est soit au-dessus, soit en-dessous de l'échelle de mesure.



Les états de LED sont décrits au chapitre 6 "Dysfonctionnements".

6. Dysfonctionnements

Personnel : personnel qualifié en électricité

FR



ATTENTION !

Blessures physiques, dommages aux équipements et à l'environnement

Si les défauts ne peuvent pas être éliminés au moyen des mesures listées, l'instrument doit être mis hors service immédiatement.

- ▶ Assurez-vous qu'il n'y a plus aucun signal présent et empêchez toute remise en marche accidentelle.
- ▶ Contacter le fabricant.
- ▶ S'il est nécessaire de retourner l'instrument au fabricant, prière de respecter les indications mentionnées au chapitre 8.1 "Retour".





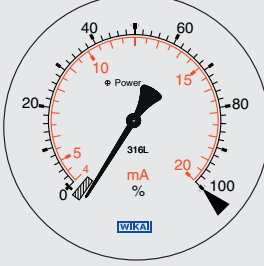
Pour le détail des contacts voir le chapitre 1 "Généralités" ou au dos du mode d'emploi.

6.1 Marquages de cadran et statut de LED

Statut de cadran	Description	Statut de fonctionnement
	<p>La LED haute puissance s'allume en vert. L'aiguille se trouve dans l'échelle.</p> <p>La sortie analogique se trouve dans la plage de 4 ... 20 mA</p>	Fonctionnement normal
	<p>La LED haute puissance clignote en vert. L'aiguille se trouve en-dessous de l'échelle.</p> <p>La sortie analogique se trouve dans la plage de 4 ... 20 mA</p>	Après l'allumage de l'afficheur analogique, un processus d'initialisation s'effectue. Attendre 5 secondes.

6. Dysfonctionnements

FR

Statut de cadran	Description	Statut de fonctionnement
	<p>La LED haute puissance clignote en rouge. L'aiguille se trouve au-dessus de la valeur pleine échelle.</p> <p>Sortie analogique : > 20 mA</p>	<p>Le signal de capteur se trouve entre 20,5 ... 21 mA ¹⁾. Le signal d'erreur est supprimé pour quelques secondes.</p> <p>Vérifier le capteur.</p>
	<p>La LED haute puissance clignote en rouge. L'aiguille se trouve en-dessous de l'échelle.</p> <p>Sortie analogique : < 4 mA</p>	<p>Le signal de capteur est < 3,6 mA ¹⁾. Le signal d'erreur est supprimé pour quelques secondes.</p> <p>Vérifier le câble de capteur et le capteur.</p>
	<p>La LED haute puissance ne s'allume pas. L'aiguille se trouve en-dessous de l'échelle.</p> <p>Sortie analogique : > 21 mA</p>	<p>Vérifier l'alimentation électrique</p>

1) En conformité avec la recommandation NE43 de NAMUR (association internationale d'utilisateurs de technologie d'automatisme dans les industries de process)

7. Entretien et nettoyage

Personnel : personnel qualifié en électricité

FR



Pour le détail des contacts voir le chapitre 1 “Généralités” ou au dos du mode d'emploi.

7.1 Entretien

Cet instrument ne requiert aucun entretien.

7.2 Nettoyage



ATTENTION !

Blessures physiques, dommages aux équipements et à l'environnement

Un nettoyage inapproprié peut conduire à des blessures physiques et à des dommages aux équipements ou à l'environnement.

- ▶ Effectuer la procédure de nettoyage comme décrit ci-dessous.

1. Avant le nettoyage, débrancher correctement l'afficheur de l'alimentation.
2. Nettoyer l'instrument avec un chiffon humide.

Eviter tout contact des raccordements électriques avec l'humidité !



ATTENTION !

Dommages aux équipements

Un nettoyage inapproprié peut endommager l'instrument !

- ▶ Ne pas utiliser de détergents agressifs.
- ▶ Ne pas utiliser d'objets pointus ou durs pour le nettoyage.

8. Retour et mise au rebut

Personnel : personnel qualifié en électricité

8.1 Retour

En cas d'envoi de l'instrument, il faut respecter impérativement ceci :

Tous les instruments livrés à WIKA doivent être exempts de substances dangereuses (acides, bases, solutions, etc.) et doivent donc être nettoyés avant d'être retournés.

► Nettoyer l'instrument, voir chapitre 7.2 "Nettoyage".

Pour retourner l'instrument, utiliser l'emballage original ou un emballage adapté pour le transport.

Pour éviter des dommages :

1. Emballer l'instrument dans une feuille de plastique antistatique.
2. Placer l'instrument avec le matériau isolant dans l'emballage.
Isoler de manière uniforme tous les côtés de l'emballage de transport.
3. Mettre si possible un sachet absorbeur d'humidité dans l'emballage.
4. Indiquer lors de l'envoi qu'il s'agit d'un instrument de mesure très sensible à transporter.



Des informations relatives à la procédure de retour sont disponibles sur notre site Internet à la rubrique "Services".

8.3 Mise au rebut

Une mise au rebut inadéquate peut entraîner des dangers pour l'environnement.

Éliminer les composants des instruments et les matériaux d'emballage conformément aux prescriptions nationales pour le traitement et l'élimination des déchets et aux lois de protection de l'environnement en vigueur.

9. Spécifications

FR

Spécifications	Type 910,70
Afficheur	
Principe	Un moteur pas à pas contrôlé de manière numérique conduit la tige de l'aiguille
Cadran	Blanc, inscriptions en caractères noirs
Etendue de mesure	270°
Durée de mesure	Max. 30 % de la pleine échelle / s
Entrée de la sonde	
Signal d'entrée	4 ... 20 mA, 2 fils
Raccordement électrique	Connecteur circulaire M12 x 1, 4 plots ; laiton plaqué nickel
Précision	±0,75 % de l'étendue de mesure.
Tension d'alimentation	
Alimentation U_s	14 ... 30 VDC, max. 0,2 A
Raccordement électrique	Connecteur M12 x 1, 4 plots
Signal de sortie	
Signal de sortie	4 ... 20 mA, 2 fils, passif, isolation galvanique
Charge maximale admissible R_A	$R_A \leq (U_B - 12 \text{ V})/0,02 \text{ A}$ avec R_A en Ω et U_B en V, quoi qu'il en soit max. 600 Ω
Alimentation U_B	12 VDC < U_B < 30 V
Câble	
Cordon d'alimentation	Longueur : $\leq 5 \text{ m}$, seule l'utilisation du câble d'origine est autorisée
Câble de capteur	Longueur : $\leq 3 \text{ m}$, seule l'utilisation du câble d'origine est autorisée
Conditions ambiantes admissibles	
Température d'utilisation	0 ... 60 °C
Température de stockage	-25 ... +70 °C
Humidité de l'air admissible	10 ... 95 % h. r. (sans condensation)
Boîtier	
Matériau	Acier inox
Indice de protection selon CEI/EN 60529	IP 65/IP 67
Poids	Env. 365 g
Installation	Avec étrier
Dimensions	Voir chapitre 9.1 "Dimensions"



Contenido

1. Información general	52
2. Diseño y función	53
3. Seguridad	54
4. Transporte, embalaje y almacenamiento	57
5. Puesta en servicio, funcionamiento	58
6. Errores	60
7. Mantenimiento y limpieza	62
8. Desmontaje, devolución y eliminación de residuos	63
9. Datos técnicos	64

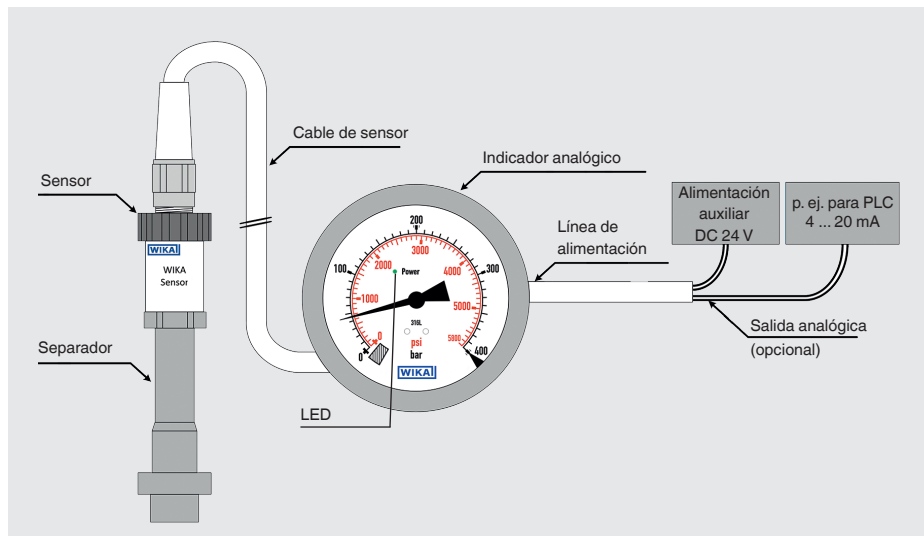
Declaraciones de conformidad puede encontrar en www.wika.es.

1. Información general

- El indicador descrito en el manual de instrucciones está construido y fabricado según el estado actual de la técnica. Todos los componentes están sujetos a rigurosos criterios de calidad y medio ambiente durante la producción. Nuestros sistemas de gestión están certificados según ISO 9001 e ISO 14001.
- Este manual de instrucciones proporciona indicaciones importantes acerca del manejo del instrumento. Para un trabajo seguro, es imprescindible cumplir con todas las instrucciones de seguridad y manejo indicadas.
- Cumplir siempre las normativas sobre la prevención de accidentes y las normas de seguridad en vigor en el lugar de utilización del instrumento.
- El manual de instrucciones es una parte integrante del instrumento y debe guardarse en la proximidad del mismo para que el personal especializado pueda consultarlo en cualquier momento. Entregar el manual de instrucciones al usuario o propietario siguiente del instrumento.
- El personal especializado debe haber leído y entendido el manual de instrucciones antes de comenzar cualquier trabajo.
- Se aplican las condiciones generales de venta incluidas en la documentación de venta.
- Modificaciones técnicas reservadas.
- Para obtener más informaciones consultar:
 - Página web: www.wika.es
 - Hoja técnica correspondiente: SP 20.02
 - Servicio técnico: Tel.: +49 9372 132-0
Fax: +49 9372 132-406
info@wika.es

2. Diseño y función

2.1 Ejemplo de montaje



ES

2.2 Descripción

Después de conectar el indicador a la alimentación de corriente se inicializa automáticamente. En cuanto el LED esté iluminado en verde de forma permanente, el indicador está listo para el funcionamiento. Un LED parpadeante indica que la señal de salida está por encima o por debajo del rango de indicación. La posición de la aguja permite al operador saber en seguida si el indicador funciona correctamente.

El indicador 910.70 puede suministrarse opcionalmente con una salida analógica de 4 ... 20 mA. Esta opción permite evaluar la medición a lo lejos del punto de medición, p. ej. en un PLC. La salida analógica opcional no requiere ningún ajuste adicional y emite la señal de sensor de 4 ... 20 mA.

2.3 Alcance del suministro

Comparar mediante el albarán si se han entregado todas las piezas.

3. Seguridad

3.1 Explicación de símbolos



¡ADVERTENCIA!

... indica una situación probablemente peligrosa que puede causar la muerte o lesiones graves si no se la evita.



¡CUIDADO!

... indica una situación probablemente peligrosa que puede causar lesiones leves o medianas, o daños materiales y medioambientales, si no se la evita.



Información

... destaca consejos y recomendaciones útiles así como informaciones para una utilización eficiente y libre de errores.

3.2 Uso conforme a lo previsto

El indicador modelo 910.70 es un accesorio e indica valores de medición de un sensor eléctrico con una señal de salida de 4 ... 20 mA en una esfera. La caja del indicador está prevista para el montaje en paneles de mando.

Opcionalmente, el indicador emite una señal de salida para 4 ... 20 mA.

El indicador ha sido diseñado para el uso en el sector industrial, en interiores y exteriores.

El instrumento ha sido diseñado y construido únicamente para la finalidad aquí descrita y debe utilizarse en conformidad a la misma.

Utilizar el instrumento únicamente en aplicaciones que están dentro de sus límites de rendimiento técnicos (por ej. temperatura ambiente máxima, compatibilidad de materiales, ...).

→ Para límites de rendimiento véase el capítulo 9 "Datos técnicos".

Un manejo no apropiado o una utilización del instrumento no conforme a las especificaciones técnicas requiere la inmediata puesta fuera de servicio y la comprobación por parte de un técnico autorizado por WIKA.

Manejar instrumentos electrónicos de precisión con adecuada diligencia (protegerlos contra humedad, impactos, fuertes campos magnéticos, electricidad estática y temperaturas extremas; no introducir ningún objeto en el instrumento o las aberturas). Deben protegerse de la suciedad las clavijas y hembrillas.

No se admite ninguna reclamación debido a una utilización no conforme a lo previsto.

3.3 Uso incorrecto



¡ADVERTENCIA!

Lesiones por uso incorrecto

El uso incorrecto del dispositivo puede causar lesiones graves o la muerte.

- ▶ Abstenerse realizar modificaciones no autorizadas del dispositivo.
- ▶ No utilizar el dispositivo en zonas potencialmente explosivas.

Cualquier uso que no sea el previsto para este dispositivo es considerado como uso incorrecto.

No utilizar este instrumento en sistemas de seguridad o dispositivos de parada de emergencia.

3.4 Responsabilidad del usuario

El dispositivo se utiliza en el sector industrial. Por lo tanto, el usuario está sujeto a las responsabilidades legales para la seguridad en el trabajo.

Se debe cumplir las notas de seguridad en este manual de instrucciones, así como la validez de las normas de seguridad de la unidad, de prevención de accidentes y protección del medio ambiente.

El usuario está obligado a mantener la placa de identificación bien legible.

3.5 Cualificación del personal



¡ADVERTENCIA!

Riesgo de lesiones debido a una insuficiente cualificación

Un manejo no adecuado puede causar considerables daños personales y materiales.

- ▶ Las actividades descritas en este manual de instrucciones deben realizarse únicamente por personal especializado con la consiguiente cualificación.

Electricistas profesionales

Debido a su formación profesional, a sus conocimientos así como a su experiencia y su conocimiento de las normativas, normas y directivas vigentes en el país de utilización los electricistas profesionales son capacitados de ejecutar los trabajos en sistemas eléctricos y reconocer y evitar posibles peligros.

Los electricistas profesionales han sido formados específicamente para sus tareas y conocen las normativas y disposiciones relevantes. Los electricistas profesionales deben cumplir las normativas sobre la prevención de accidentes en vigor.

Operarios

El personal formado por el usuario es capaz de realizar el trabajo descrito y de identificar los peligros potenciales debido a su formación, el conocimiento y la experiencia.

Algunas condiciones de uso específicas requieren conocimientos adicionales, p. ej. acerca de medios agresivos.

3. Seguridad

3.6 Equipo de protección individual

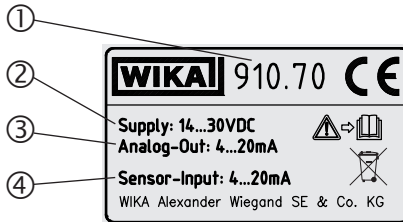
El equipo de protección individual protege al personal especializado contra peligros que puedan perjudicar la seguridad y salud del mismo durante el trabajo. El personal especializado debe llevar un equipo de protección individual durante los trabajos diferentes en y con el instrumento.

¡Cumplir las indicaciones acerca del equipo de protección individual en el área de trabajo!

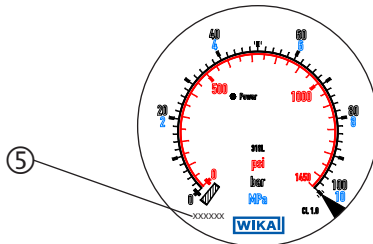
ES

3.7 Rótulos, marcajes de seguridad

Placa de identificación en la caja



Esfera con número de serie trazable (ejemplo)



- ① Modelo
- ② Alimentación auxiliar
- ③ Señal de salida
- ④ Señal de entrada
- ⑤ Número de serie

Símbolos



¡Es absolutamente necesario leer el manual de instrucciones antes del montaje y la puesta en servicio del instrumento!



No eliminar junto a la basura doméstica. Asegurar la eliminación adecuada de acuerdo con las regulaciones nacionales.

4. Transporte, embalaje y almacenamiento

4.1 Transporte

Comprobar si el indicador presenta eventuales daños causados en el transporte.
Notificar daños obvios de forma inmediata.



¡CUIDADO!

Daños debidos a un transporte inadecuado

Transportes inadecuados pueden causar daños materiales considerables.

- ▶ Tener cuidado al descargar los paquetes durante la entrega o el transporte dentro de la compañía y respetar los símbolos en el embalaje.
- ▶ Observar las instrucciones en el capítulo 5.2 “Embalaje y almacenamiento” en el transporte dentro de la compañía.

Si se transporta el instrumento de un ambiente frío a uno caliente, puede producirse un error de funcionamiento en el mismo. En tal caso, hay que esperar a que la temperatura del instrumento se adapte a la temperatura ambiente antes de ponerlo nuevamente en funcionamiento.

4.2 Embalaje y almacenamiento

No quitar el embalaje hasta justo antes del montaje.

Guardar el embalaje ya que es la protección ideal durante el transporte (por ejemplo si el lugar de instalación cambia o si se envía el instrumento para posibles reparaciones).

Condiciones admisibles en el lugar de almacenamiento:

- Temperatura de almacenamiento: -25 ... +70 °C
- Humedad: 10 ... 95 % h. r. (sin condensación)

Evitar lo siguiente:

- Luz solar directa o proximidad a objetos calientes
- Vibración mecánica, impacto mecánico (colocación brusca)
- Hollín, vapor, polvo y gases corrosivos
- Entorno potencialmente explosivo, atmósferas inflamables

Almacenar el instrumento en su embalaje original en un lugar que cumpla con las condiciones arriba mencionadas. Si no se dispone del embalaje original, empaquetar y almacenar el instrumento como sigue:

1. Envolver el instrumento en un film de plástico antiestático.
2. Colocar el instrumento junto con el material aislante en el embalaje.
3. Para un almacenamiento prolongado (más de 30 días) colocar una bolsa con un desecante en el embalaje.

5. Puesta en servicio, funcionamiento

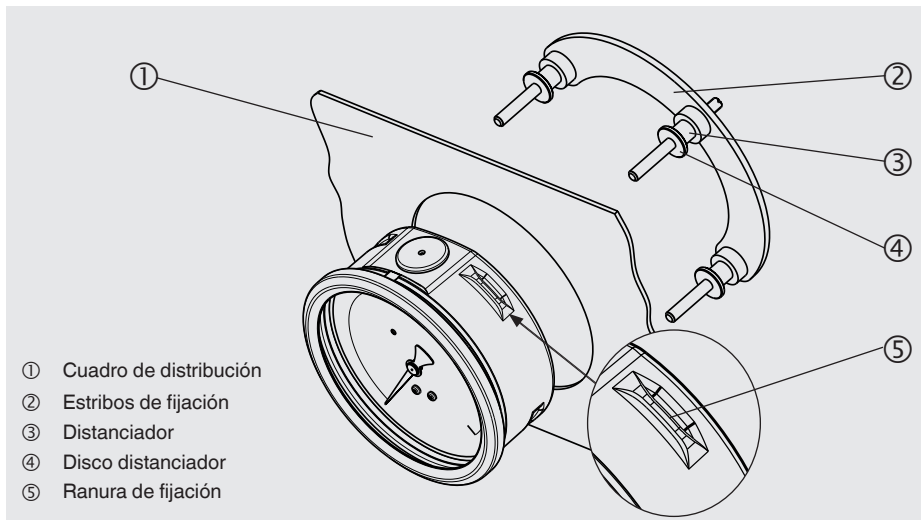
Personal: Electricistas profesionales

Herramientas: destornillador plano y herramientas para la confección de cables

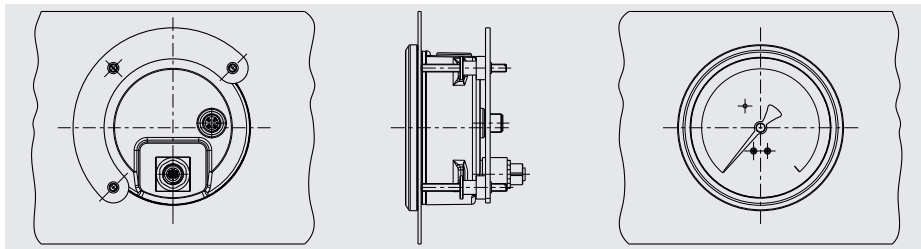
5.1 Montaje mecánico

Corte del panel de mando necesario: $\varnothing 104 \pm 0,5$ mm

ES



1. Insertar el indicador en el corte del panel de mando desde la parte frontal y orientarlo de modo que el anillo frontal se halle en contacto plano con el panel de mando.
2. Montar la brida de fijación con los 3 anillos distanciadores como se muestra abajo. Mediante el destornillador, ajustar la posición de los 3 distanciadores de modo que estos estén a una distancia de aprox. 3 mm delante de las ranuras de fijación visto desde el panel de mando.



3. Insertar los discos distanciadores de la brida de fijación en las ranuras de fijación.
4. Atornillar los 3 distanciadores de manera uniforme mediante el destornillador plano de modo que el indicador esté montado de manera uniforme y fija en el panel de mando.

5. Puesta en servicio, funcionamiento

5.2 Montaje eléctrico

La fuente de alimentación utilizada para la alimentación de corriente del instrumento debe cumplir las exigencias respecto a la alimentación auxiliar, véase capítulo 9 "Datos técnicos".

Para la conexión eléctrica del instrumento únicamente deben utilizarse los cables originales suministrados por WIKA para este instrumento.

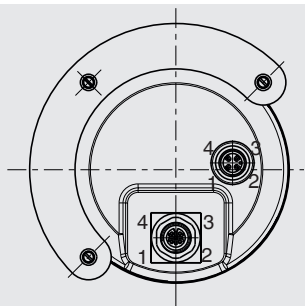


¡ADVERTENCIA!

Antes de la puesta en servicio, asegurarse de que la alimentación de corriente esté desconectada.

ES

Cableado



Salida analógica (opcional)

Conector: conexión para cable de alimentación (4 pines)

Asignación de cables

Pin	Funcionamiento	Color de conductor
1	Salida analógica (+)	BN
2	Alimentación auxiliar (DC 14 ... 24 V)	WH
3	Salida analógica (-)	BL
4	Alimentación auxiliar (GND / 0 V)	BC

Entrada de sensor

Conector hembra: conexión para cable de sensor (4 pines)

1. Conectar el instrumento con el sensor mediante el cable de sensor
2. Conectar el cable de alimentación al indicador
3. Conectar la alimentación auxiliar

Se inicializa el indicador. Si el LED está iluminado en verde, el indicador está listo para el funcionamiento. Si el LED parpadea en verde, la señal de salida está por encima o por debajo del rango de indicación.



Los estados LED están descritos en capítulo 6 "Errores".

6. Errores

Personal: Electricistas profesionales



¡CUIDADO!

Lesiones corporales, daños materiales y del medio ambiente

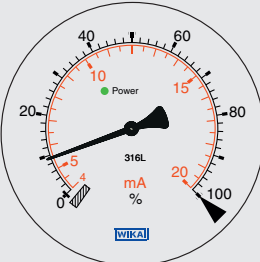
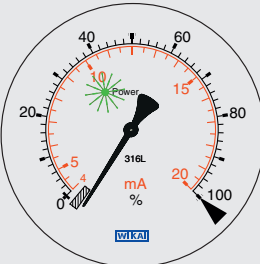
Si no se pueden solucionar los defectos mencionados se debe poner el dispositivo inmediatamente fuera de servicio.

- ▶ Asegurar que el dispositivo no reciba ninguna señal y disponer las medidas necesarias para evitar una puesta en marcha accidental.
- ▶ Contactar con el fabricante.
- ▶ Si desea devolver el instrumento, observar las indicaciones en el capítulo 8.1 “Devolución”.

Datos de contacto ver capítulo 1 “Información general” o parte posterior del manual de instrucciones.



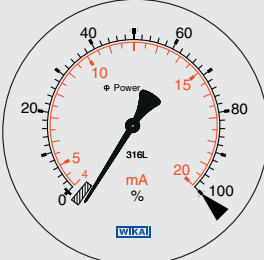
ES

6.1 Marcas en la esfera y estado LED

Estado esfera	Descripción	Estado de funcionamiento
	<p>El LED Power está iluminado en verde. La aguja está dentro de la escala.</p> <p>La salida analógica está en el rango de 4 ... 20 mA</p>	<p>Funcionamiento normal</p>
	<p>El LED Power parpadea en verde. La aguja está debajo de la escala.</p> <p>La salida analógica está en el rango de 4 ... 20 mA</p>	<p>Tras activar el indicador analógico se efectúa un proceso de inicialización. Esperar 5 segundos.</p>

6. Errores

ES

Estado esfera	Descripción	Estado de funcionamiento
	<p>El LED Power parpadea en rojo. La aguja está más allá de la marca de valor de final de escala.</p> <p>Salida analógica: > 20 mA</p>	<p>La señal de sensor está entre 20,5 ... 21 mA ¹⁾. La señal de error se suprime durante unos segundos.</p> <p>Comprobar el sensor.</p>
	<p>El LED Power parpadea en rojo. La aguja está debajo de la escala.</p> <p>Salida analógica: < 4 mA</p>	<p>La señal de sensor es < 3,6 mA ¹⁾ La señal de error se suprime durante unos segundos.</p> <p>Comprobar el cable de sensor y el sensor.</p>
	<p>El LED Power no está iluminado. La aguja está debajo de la escala.</p> <p>Salida analógica: > 21 mA</p>	<p>Comprobar la alimentación auxiliar</p>

1) Según la recomendación NE43 de NAMUR (asociación internacional de los usuarios de la técnica de automatización de la industria de procesos)

7. Mantenimiento y limpieza

Personal: Electricistas profesionales



Datos de contacto ver capítulo 1 “Información general” o parte posterior del manual de instrucciones.

ES

7.1 Mantenimiento

Este instrumento no requiere mantenimiento.

7.2 Limpieza



¡CUIDADO!

Lesiones corporales, daños materiales y del medio ambiente

Una limpieza inadecuada provoca lesiones corporales, daños materiales y del medio ambiente.

- ▶ Realizar el proceso de limpieza tal como se describe a continuación.

1. Antes de limpiar, desconectar debidamente el indicador de la alimentación de corriente.
2. Limpiar el instrumento con un paño húmedo.
¡Asegurarse de que las conexiones eléctricas no entran en contacto con humedad!



¡CUIDADO!

Daños materiales

¡Una limpieza inadecuada puede dañar el dispositivo!

- ▶ No utilizar productos de limpieza agresivos.
- ▶ No utilizar ningún objeto puntiagudo o duro para la limpieza.

8. Devolución y eliminación de residuos

Personal: Electricistas profesionales

8.1 Devolución

Es imprescindible observar lo siguiente para el envío del instrumento:

Todos los instrumentos enviados a WIKA deben estar libres de sustancias peligrosas (ácidos, lejías, soluciones, etc.) y, por lo tanto, deben limpiarse antes de devolver.

- ▶ Limpiar el dispositivo, consultar el capítulo 7.2 “Limpieza”.

Utilizar el embalaje original o un embalaje adecuado para la devolución del instrumento.

Para evitar daños:

1. Envolver el instrumento en un film de plástico antiestático.
2. Colocar el instrumento junto con el material aislante en el embalaje.
Aislar uniformemente todos los lados del embalaje de transporte.
3. Si es posible, adjuntar una bolsa con secante.
4. Aplicar un marcaje que indique que se trata de un envío de un instrumento de medición altamente sensible.



Comentarios sobre el procedimiento de las devoluciones encuentra en el apartado “Servicio” en nuestra página web local.

8.3 Eliminación de residuos

Una eliminación incorrecta puede provocar peligros para el medio ambiente.

Eliminar los componentes de los instrumentos y los materiales de embalaje conforme a los reglamentos relativos al tratamiento de residuos y eliminación vigentes en el país de utilización.

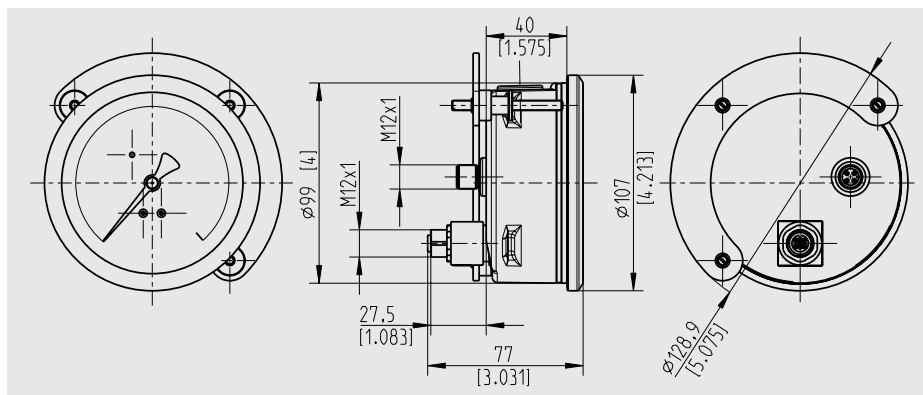
9. Datos técnicos

Datos técnicos	Modelo 910.70
Indicador	
Principio	Un motor paso a paso controlado digitalmente acciona el eje de la aguja
Esfera	Blanco, subdivisión negra
Rango de indicación	270°
Tiempo de medición	Máx. 30% valor final / s
Entrada de sensor	
Señal de entrada	4 ... 20 mA, 2 hilos
Conexión eléctrica	Conector circular M12 x 1, 4 pines; latón niquelado
Exactitud	0,75 % del span de medición
Alimentación de corriente	
Alimentación auxiliar U_S	DC 14 ... 30 V, máx. 0,2 A
Conexión eléctrica	Conector M12 x 1, 4 pines
Señal de salida	
Señal de salida	4 ... 20 mA, 2 hilos, pasiva, aislada galvánicamente
Carga máxima admisible R_A	$R_A \leq (U_B - 12 \text{ V})/0,02 \text{ A}$ con R_A en Ω y U_B en V, pero máx. 600 Ω
Alimentación auxiliar U_B	DC $12 \text{ V} < U_B < 30 \text{ V}$
Cable	
Cable de red	Longitud: $\leq 5 \text{ m}$, solamente utilización de cables originales permitida
Cable de sensor	Longitud: $\leq 3 \text{ m}$, solamente utilización de cables originales permitida
Condiciones ambientales admisibles	
Temperatura de servicio	0 ... 60 °C
Temperatura de almacenamiento	-25 ... +70 °C
Humedad del aire permitida	10 ... 95 % h.r. (sin condensación)
Caja	
Material	Acero inoxidable
Tipo de protección según IEC/EN 60529	IP65/IP67

9. Datos técnicos

Datos técnicos	Modelo 910.70
Peso	Aprox. 365 g
Montaje	Con brida de fijación
Dimensiones	Véase capítulo 9.1 "Dimensiones"

9.1 Dimensiones en mm [in]



Para más datos técnicos consulte la hoja técnica de WIKA SP 20.02 y la documentación de pedido.



WIKA subsidiaries worldwide can be found online at www.wika.com.
WIKA-Niederlassungen weltweit finden Sie online unter www.wika.de.
La liste des filiales WIKA dans le monde se trouve sur www.wika.fr.
La lista de las sucursales WIKA en el mundo puede consultarse en www.wika.es.



WIKAL Alexander Wiegand SE & Co. KG
Alexander-Wiegand-Straße 30
63911 Klingenberg • Germany
Tel. +49 9372 132-0
Fax +49 9372 132-406
info@wika.de
www.wika.de